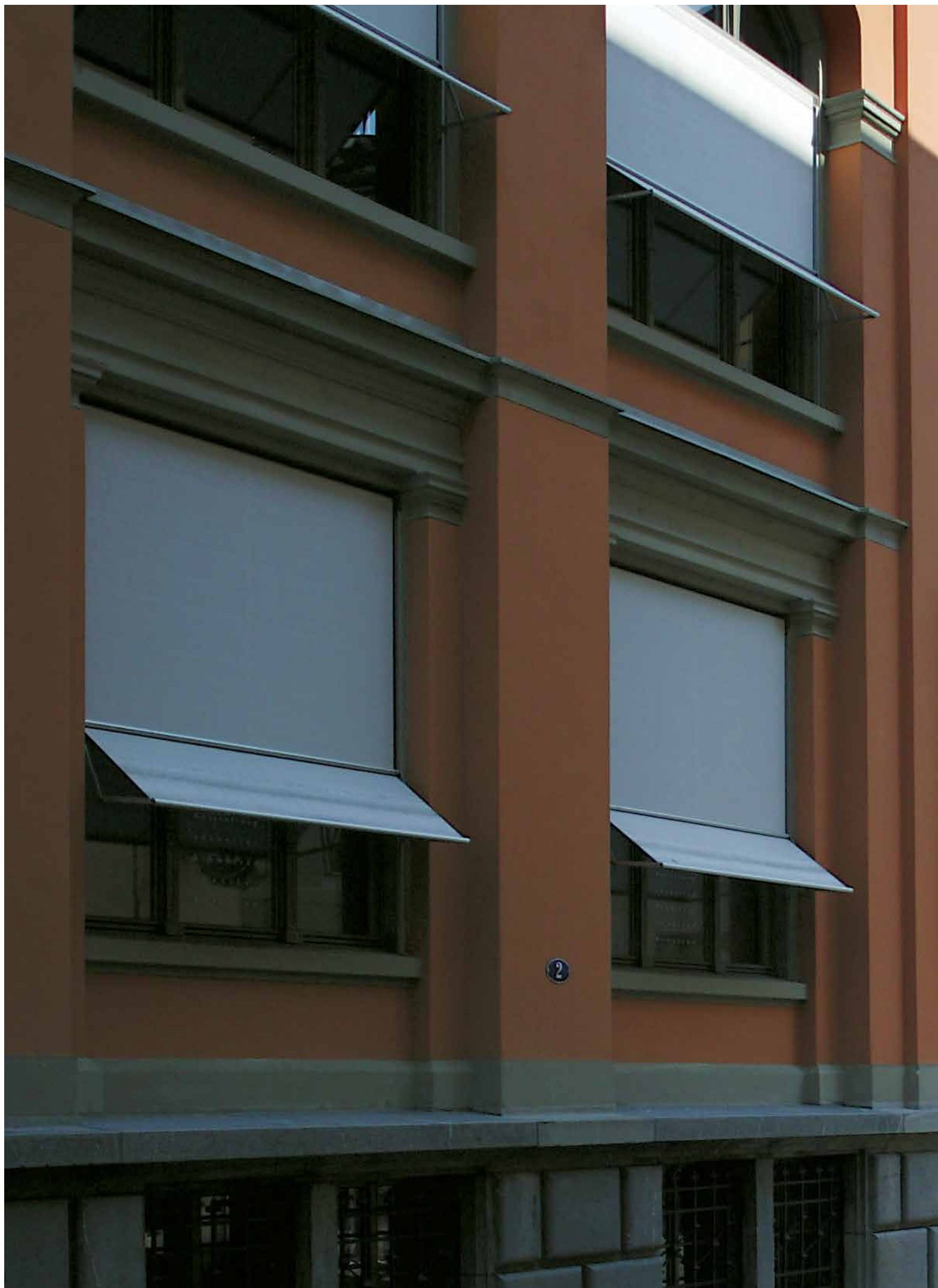


**Facade awnings from Griesser.
Galleria®**







Galleria®

Enjoy a comfortable ambiance with our sliding-arm awning Galleria® with optimal solar shading and indirect daylight. With full projection up to 180°, it's unnecessary to completely darken the window depending on the angle of the sun.

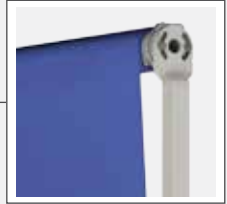
Two types of mounting, a header or a front installation version are available making it possible to ideally integrate it into the facade. And, for this product as well, a broad selection of fabric and colors are available.



Fabric look



Front mounted system



Built-in system

Product Highlights Galleria®



Indirect daylight



Various guide rails

PRODUCT ADVANTAGES IN DETAIL



Fabric look

The two material collections, Screen and Soltis, offer a large selection of very different colors. You can choose the material that fits your facade – we're happy to advise you.



Indirect daylight

The sliding arm here allows you to enjoy indirect daylight even when the facade awning is closed. And the sliding arm allows you to enjoy the view outdoors when the awning is closed as well.



Front mounted system

Our front mounted system is available in the both Box Design and Box Square.



Built-in system

The built-in system can be discreetly integrated into your facade.



Filigree technology

The Galleria® is impressive with its filigree technology which allows it to blend inconspicuously into any facade profile.



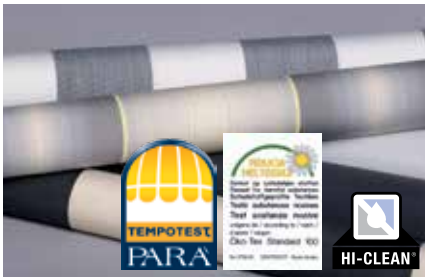
Various guide rails

Round, square or even a double guide rail, you can choose the model that suits your facade.

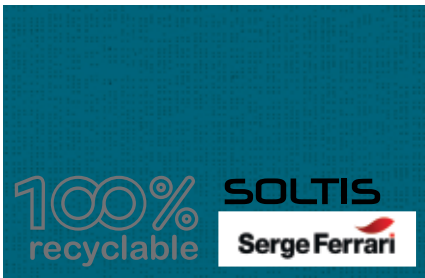
Fabric collections and colors



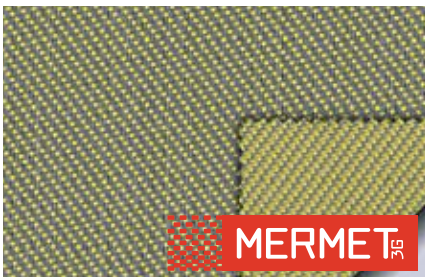
COLLECTION CITY & CROMIE



COLLECTION SOLTIS



COLLECTION SCREEN



A VERSATILE WORLD OF MATERIALS

Acrylic materials

The awning patterns of the Collection City and Cromie are coordinated with the color schemes of today. There is a suitable awning fabric for every taste. All of the materials have, thanks to state-of-the-art nanotechnology, dirt-repellant and water-repellent properties.

Soltis gauzes

A broad selection of colours is offered by the Soltis Collection, which includes the fabric types Soltis 86, Soltis 92, Soltis Black out B92 and B702. The latticed fabric lends the shaded room a natural brightness and provides the necessary solar shading. The Soltis Black out Collection is impermeable to light.

Screen gauze

The Screen materials feature a wide range of colors. The unusual patterns are an instant eye-catcher, lending the material a special touch. The Classic Satiné 5500 gauze allows plenty of brightness into the room.

FABRIC RECOMMENDATIONS FOR FUNCTIONAL BUILDINGS

In the interest of thermal protection, the g-value must be $\leq 10\%$

To ensure adequate protection from glare, transparency must be $\leq 5\%$

Light transmittance must be $\geq 5\%$ to provide optimal utilisation of daylight

To obtain the best possible thermal protection, a fabric with the the lowest thermal transmittance (T_e) possible should be chosen, and the colour should be rather dark

OUR COLORS

Basic

Extruded aluminium parts are transparently anodized, cast parts are untreated and sandblasted (spacers baked enamel finish RAL 9006), the steel parts are galvanized.

PREMIUM COLORS

GriColors

The GriColors range includes 100 color shades in four collections, Glass & Stone, Sun & Fire, Water & Moss and Earth & Wood – from cool white and sunny red to natural blue and earthy brown.

Collection GriRal Colors

Our GriRal color collection has an assortment of 50 different RAL shades of color. From sand yellow to standard white, we offer a complete selection of hues for every color family. We're convinced that with our color palette, you will find exactly the right shade of color for your needs.

SPECIAL COLORS

Color means individuality - there are practically no limits to our Special Colors. No wish goes unanswered with additional innumerable and facade-ready color tones.

Our comfort

CONTROLS

Galleria® can be operated through a variety of control systems, from a simple hand-held transmitter to a master control or a building management system, depending on the time, position of the sun and the weather.

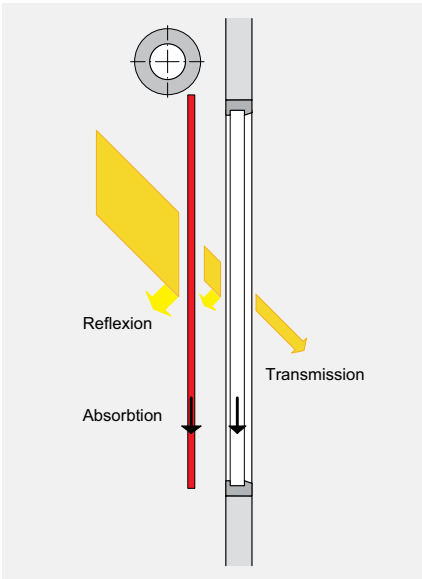
Thermal comfort

The ambient conditions change over the course of the day and during the seasons. With a blinds control device from Griesser, you can adjust your solar shading to match your personal requirements in accordance with changing exterior circumstances. And making these adjustments is so simple that you will still have time to take care of the important things in your life.

An optimal daylight concept makes artificial air conditioning superfluous in the summer. You save energy costs and may well also avoid one or another unwanted summer cold. In the winter, on the other hand, a solar shading system can protect you against cold and allow the scarce rays of the sun into the room, thus saving once again on energy costs, not to mention facial tissues.

Visual comfort

Feeling at ease especially means being able to decide on the amount of privacy you would like in your own home. The Galleria® shelters you from uninvited glances from the outside world.



BiLine hand-held transmitter



Centro server for iPad and iPhone operation

BILINE - RADIO CONTROLS

The Griesser BiLine control system offers reliable radio transmission combined with contemporary design and an esthetic that fits in unobtrusively in any surroundings. Wireless systems have the advantage of being installed quickly, not only in new buildings but also when refitting an automated system in existing buildings.



KNX HOME AND BUILDING AUTOMATION

The Griesser KNX solar shading controller is an integrated master control with extensive functionalities for any building of any size. With proven functions such as solar tracking and horizon limitation, it meets the highest expectations for solar shading control.

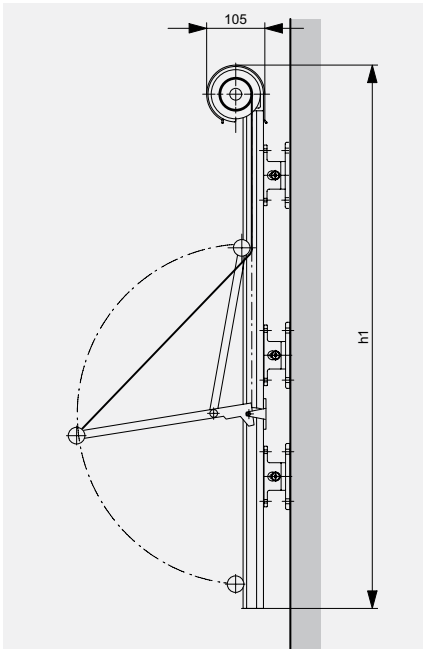


KNX controls per iPad



Technology in detail

Facade installation

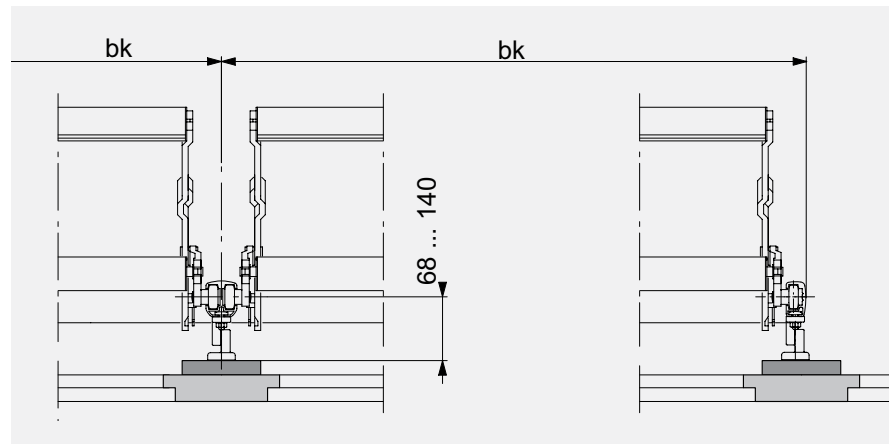


INSTALLATION SYSTEM

Galleria® Box

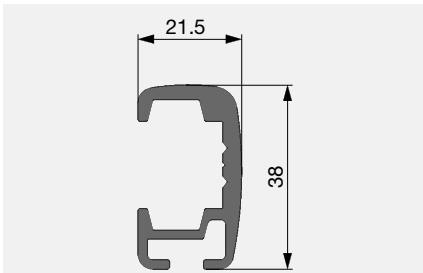
Operation	Manual drive	Motor drive
Single awning		
Min. width	400	800
Max. width	3500	3500
Min. height (h1)	1400	1400
Max. height (h1)	3500	3500
Max. surface	8 m ²	8 m ²
Connected systems	max. 3 awnings	
Max. width	6000	8000
Max. surface	12 m ²	18 m ²

Definition of dimensions

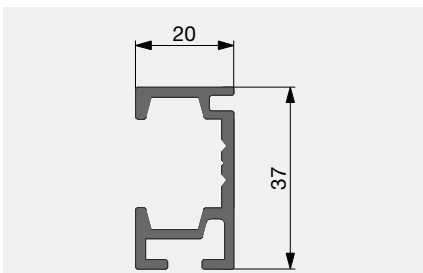


GUIDE RAILS

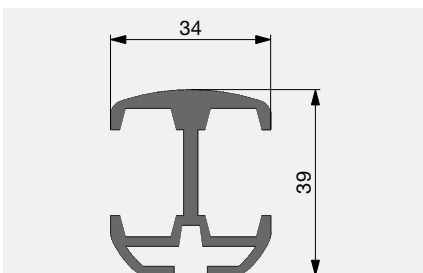
C profile circular



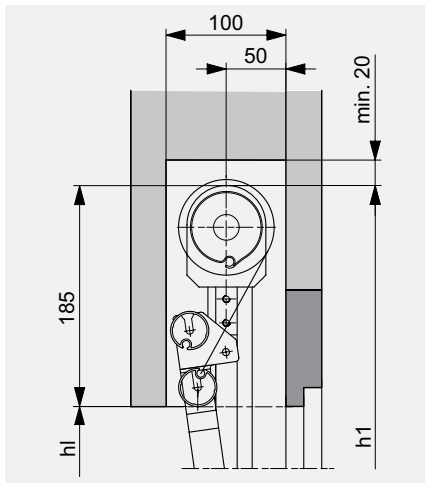
C profile square



Double guide



Header mounting

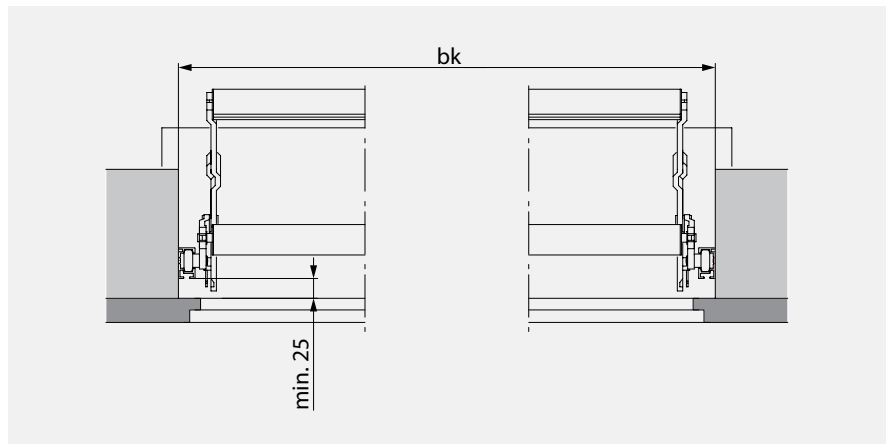


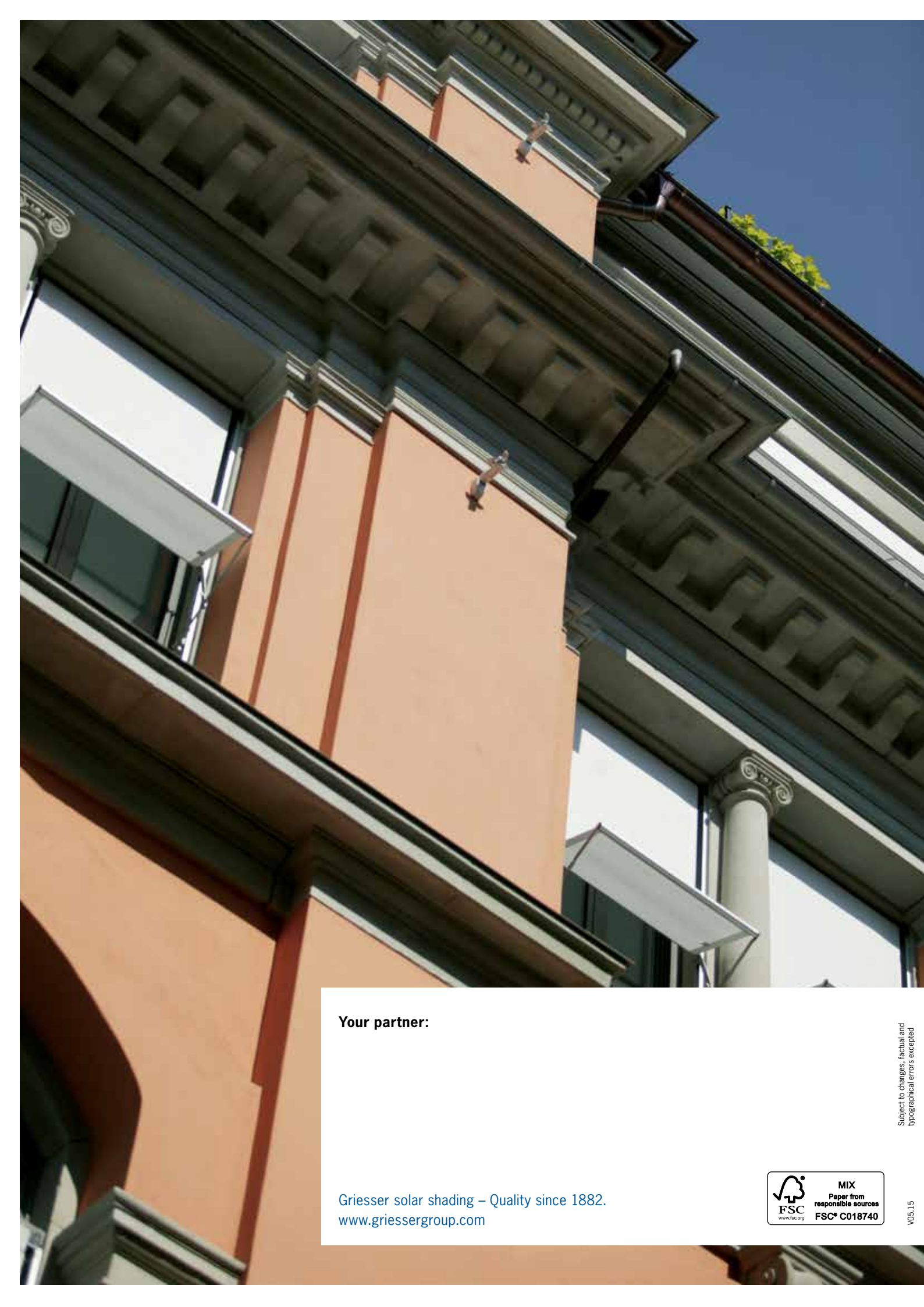
BUILT-IN SYSTEM

Galleria®

Operation	Manual drive	Motor drive
Single awning		
Min. width	400	800
Max. width	3500	3500
Min. height (hl)	1200	1200
Max. height (hl)	3315	3315
Max. surface	8 m ²	8 m ²
Connected systems	max. 3 awnings	
Max. width	6000	8000
Max. surface	12 m ²	18 m ²

Definition of dimensions





Your partner:

Griesser solar shading – Quality since 1882.
www.griessergroup.com

