

**External venetian blinds from Griesser.  
Lamisol® III**





## Lamisol® III

Lamisol® III is available in two versions: as Lamisol® III 90 and as Lamisol® III 70 for narrow installation conditions. Lamisol® III Reflect offers a number of different slat positions in one: The lower blinds zone protects against unwanted glare when working with a monitor, the middle zone ensures beneficial daylight and the upper one directs the light into the interior of the room and creates a pleasant sense of space. This makes the daylight optimally usable in every situation.



Lamisol® III is available as a MINERGIE® module in an automated version.



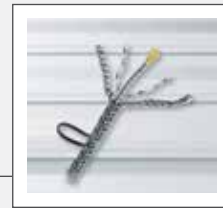
Self-supporting



Built-in system



Front mounted system



Adjusting cords



Two different slat widths

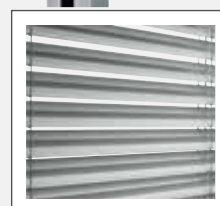
## Product-Highlights Lamisol® III



Perforated slats (option)



Lamisol® III Reflect (option)



Operating position (option)

---

## PRODUCT ADVANTAGES IN DETAIL

---



### Two different slat widths

Lamisol® III 90 meets the current installation standard for new buildings Lamisol® III 70 is oriented towards the narrow installation situations encountered in renovations and retrofitting.



### Perforated slats (Option)

Perforated slats can be used to provide a better visual link to the outside even when the blinds are closed. This is not recommended for residential applications due to the transparency.



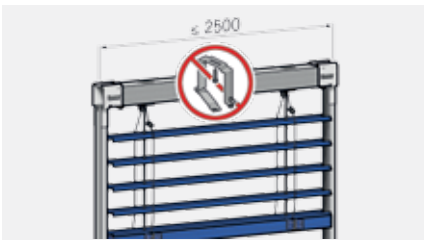
### Operating position (Option)

The shade produced when lowering the blinds is often annoying – particularly in the work place. The slat operating position of around 48 degrees prevents the room from getting dark when the blind is lowered.



### Lamisol® III Reflect

The Lamisol® III Reflect system offers three (Lamisol® III 90) or two (Lamisol® III 70) different slat positions in one. The lower blinds zone protects against unwanted glare when working with a monitor. The middle zone creates diffuse, beneficial daylight. And the upper zone directs the light into the interior of the room and ensures a pleasant sense of space.



### Self-supporting

The self-supporting blind design protects the insulation in the header and reduces service costs. The system needs no fastening for the housing for widths of up to 2500 mm – the insulation remains intact and noise transmission is reduced.



### Adjusting cords

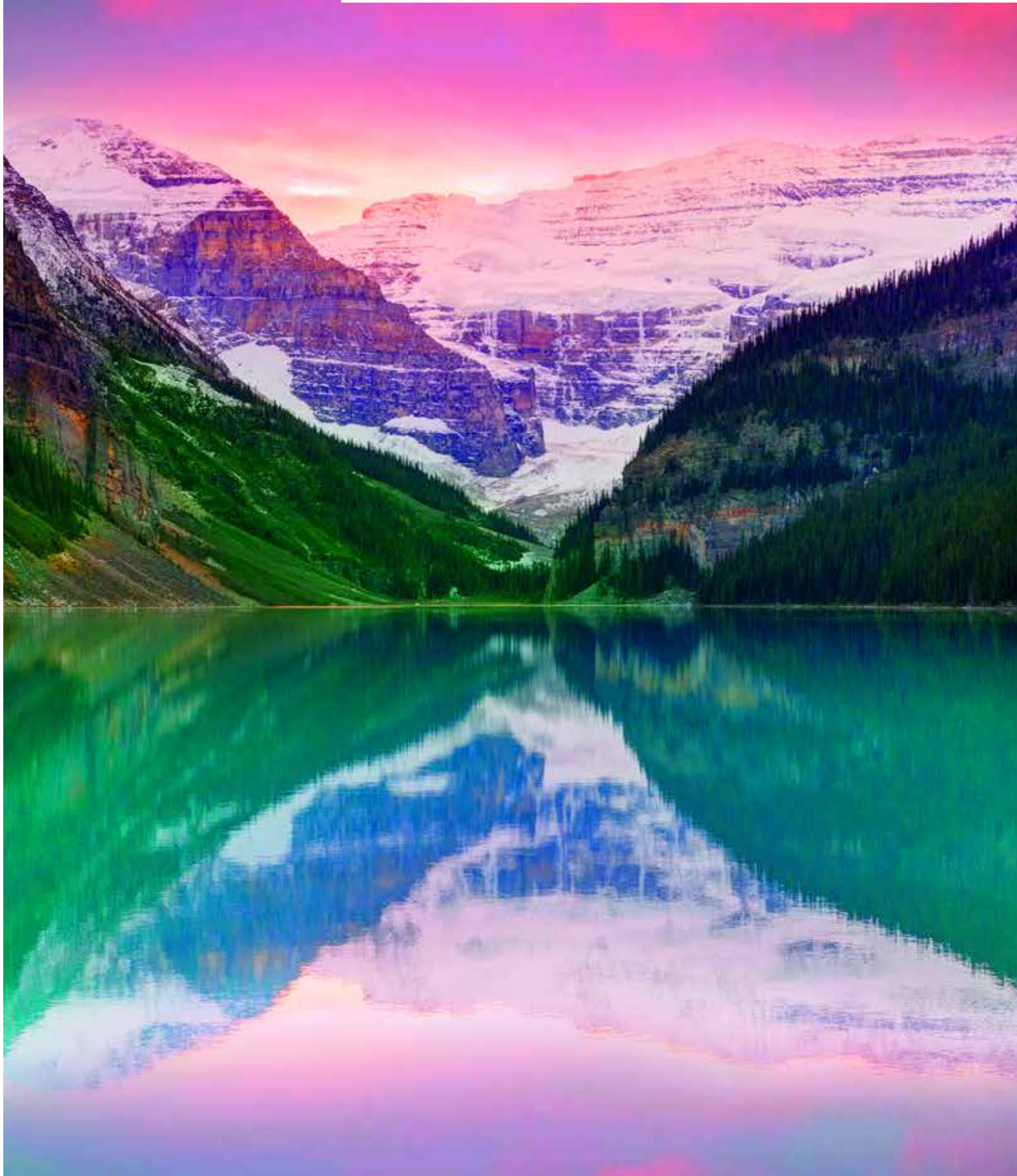
Yellow Kevlar fibers ensure low stretch and shrinkage levels – the slat end remains in optimum condition for years.



### Installation system

We offer you the Lamisol® III in two different installation versions. One for the header situation and one for the version with a screen.

## Our color scheme



---

## OUR COLORS

---

### STANDARD COLORS

We have created a selection of the most popular colors for you. This has resulted in our five standard colors RAL 7016, RAL 9007/VSR 907, RAL 9006/VSR140, RAL 9010 and RAL 9016.



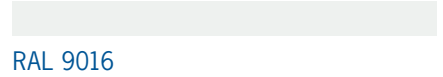
RAL 9006/VSR 140



RAL 7016



RAL 9007/VSR 907



RAL 9016



RAL 9010

---

### PREMIUM COLORS

---

#### Collection GriColors

The colors of our solar shading systems should reflect your wishes, lend distinction to the character of the architecture and create a personal atmosphere. These wishes are a daily challenge to our developers, planners and lacquerers. The variety available for the color selection recognizes practically no limits, given that we have selected 100 color tones – the GriColors – in addition to the standard colors and divided them into four groups for which nature provided the models. Glass & Stone, Sun & Fire, Water & Moss and Earth & Wood set unique color accents.



#### Surface structure

Semi-gloss

---

#### Collection GriRal Colors

Our GriRal color collection has an assortment of 50 different RAL shades of color. From sand yellow to standard white, we offer a complete selection of hues for every color family. We're convinced that with our color palette, you will find exactly the right shade of color for your needs.



#### Surface structure

Semi-gloss

---

#### BiColor

External venetian blinds get a new color accent: When bright color is dominant outside, a neutral light can optimize the shading function inside. Create your own preferred color combination using our two color collections, GriColors and GriRal (excluding standard colors). The exterior color shows as a border along the edge of the interior view. Our color recommendations for interior colors: white (VSR 901), light gray (VSR 904) or medium gray (VSR 130).



---

### SPECIAL COLORS

Color means individuality - there are practically no limits to our Special Colors. No wish goes unanswered with additional innumerable and facade-ready color tones.



## Our comfort





---

## CONTROLS

Lamisol® III can be operated through a variety of control systems, from a simple hand-held transmitter to a master control or a building management system, depending on the time, position of the sun and the weather.

---

### Thermal comfort

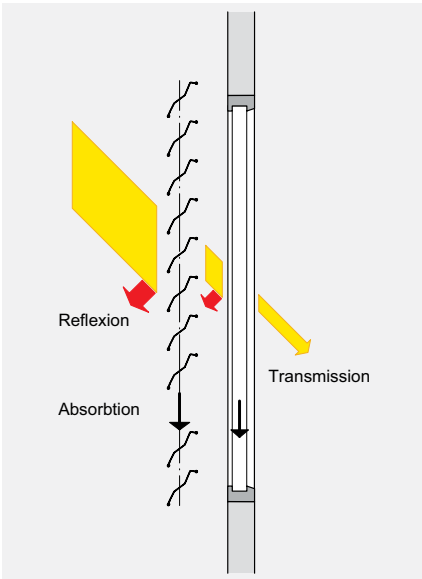
The ambient conditions change over the course of the day and during the seasons. With a blinds control device from Griesser, you can adjust your solar shading to match your personal requirements in accordance with changing exterior circumstances. And making these adjustments is so simple that you will still have time to take care of the important things in your life.

An optimal daylight concept makes artificial air conditioning superfluous in the summer. You save energy costs and may well also avoid one or another unwanted summer cold. In the winter, on the other hand, a solar shading system can protect you against cold and allow the scarce rays of the sun into the room, thus saving once again on energy costs, not to mention facial tissues.

---

### Visual comfort

Having a sense of well-being also means being able to decide for oneself, particularly within one's own four walls, just how much one wants to reveal to the outside world. With Lamisol® III, you are sheltered from uninvited glances from the outside world.



BiLine hand-held transmitter



Centrero server for iPad and iPhone operation

---

### BILINE - REMOTE CONTROL

The control system Griesser BiLine provides contemporary design and high functional security through routing technology. Wireless systems have the advantage of being installed quickly, not only in new buildings but also when refitting an automated system in existing buildings.



---

### KNX HOME AND BUILDING AUTOMATION

The Griesser KNX solar shading controller is an integrated master control with extensive functionalities for any building of any size. With proven functions such as solar tracking and horizon limitation, it meets the highest expectations for solar shading control.



KNX controls per iPad

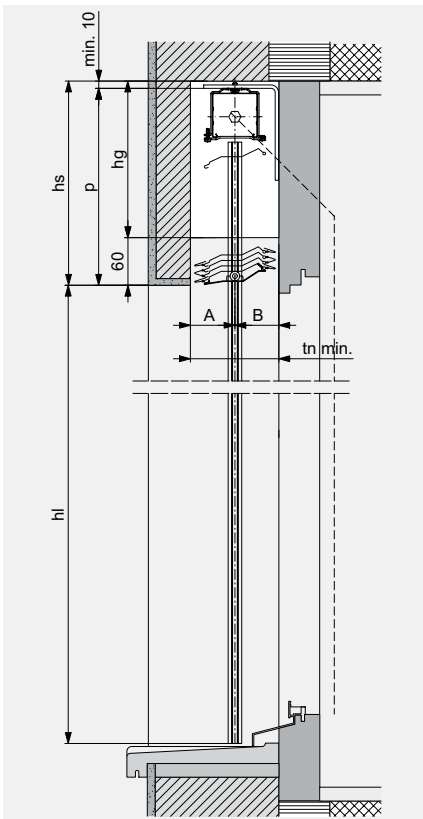






# Technology in detail

## Vertical section: Example of header



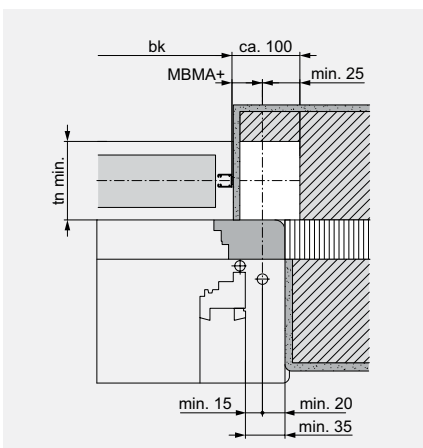
## BUILT-IN SYSTEM



### Top section for crank drive

With recess (white) for gearbox (not necessary for motor drive). MBMA+ = Dimension from rear edge of guide rails to center of drive. With gearbox in slat area:  $hs + 20$  mm. A dimensional tolerance of  $\pm 5$  mm is observed for the header height.

### Top section for crank drive



### Depth of niche

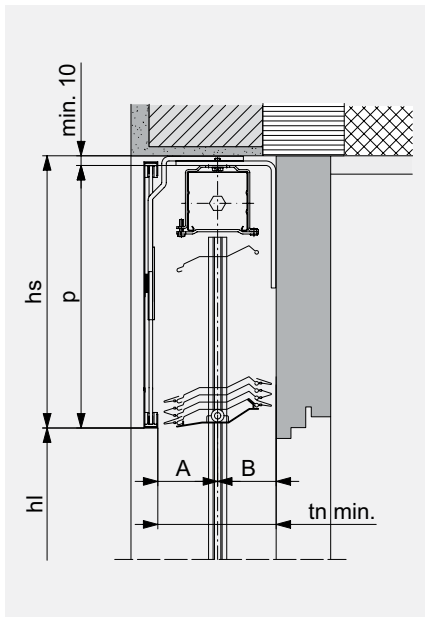
Type	tn	A	B
Lamisol® III 90	min. 130*	65	65
Lamisol® III 70	min. 100*	50	50

\* + possible addition for protruding weatherboard or doorknobs.

## KEY

bk = Width of construction  
 hl = Opening height  
 p = Height of package  
 hs = Header height (p + min. 10)  
 hg = Height of gearbox recess (hs - 60)  
 tn = Depth of niche  
 All dimensions in mm.

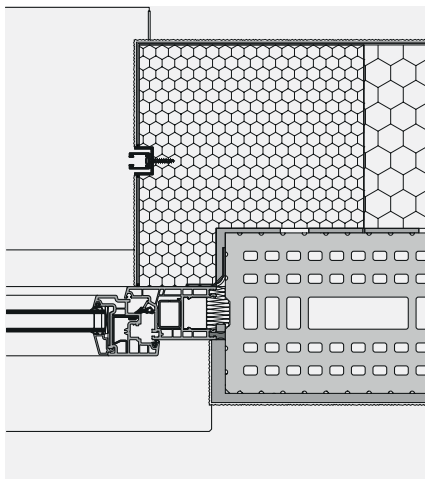
**Vertical section: Example with cover**



**BUILT-IN SYSTEM WITH COVER**

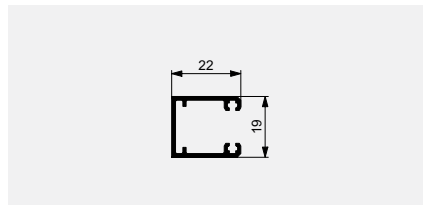


**Embedded guides Type E and F for heat insulation composite systems**

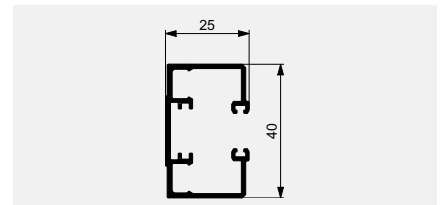


**GUIDE RAILS**

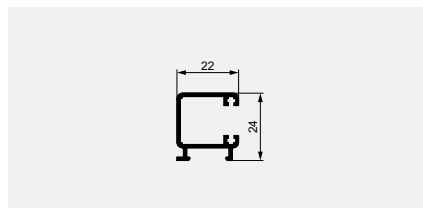
**Type E**



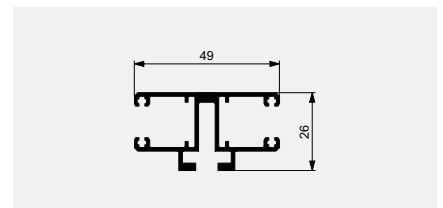
**Type F**



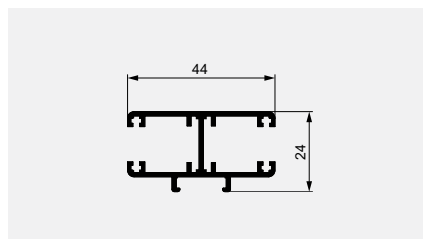
**Type C**



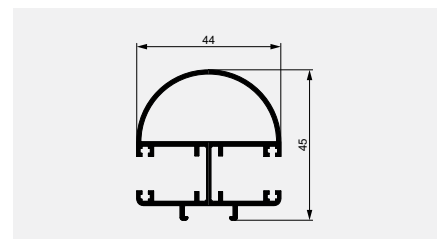
**Type D**



**Type T**



**Type R**



---

## LIMIT DIMENSIONS

---

### bk Width of construction (rear edge of guide rails)

Minimum	
crank drive	510
motor drive	590
Maximum	4500

Buildings and high-rise structures which are exposed to high wind should decrease this maximum value as required (see operating instructions).

### hl Opening height

Minimum	400
Maximum	4300

### bk × hl Maximum surface area

Single blind	
with crank drive	10 m <sup>2</sup>
with motor drive	10 m <sup>2</sup>
Connected systems (max. system width 10 m)	
with crank drive (max. 4 blinds)	10 m <sup>2</sup>
A max. of 2 blinds may be connected on each side of the gearbox.	
with motor drive	
2 blinds	16 m <sup>2</sup>
3–4 blinds	24 m <sup>2</sup>

For 3 or 4 blinds, the motor should be positioned in the center.

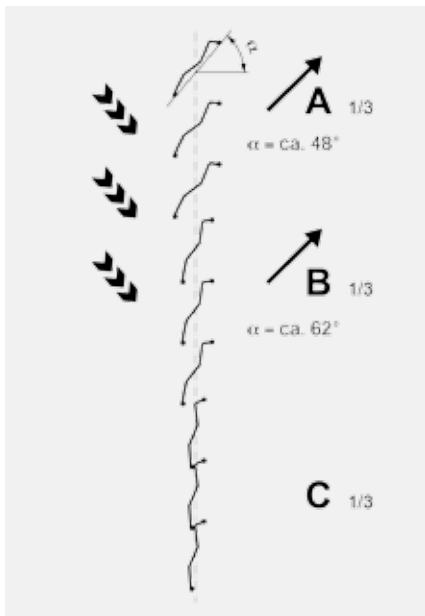
### Header dimensions

Opening height (hl)	Header height (hs)	
	Lamisol® III 90	Lamisol® III 70
400–1750	225	235
1751–2000	235	250
2001–2250	250	265
2251–2500	260	285
2501–2750	275	300
2751–3000	290	315
3001–3250	305	330
3251–3500	320	350
3501–3750	330	365
3751–4000	350	385
4001–4300	360	400

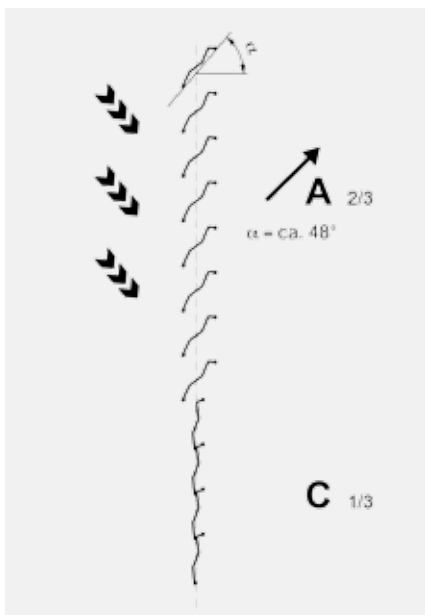
Lamisol® III Reflect system +5 mm.

Header dimensions are approximate values which may exhibit negative or positive deviations depending on the technical circumstances.

**LAMISOL® III 90 REFLECT  
WITH 3 ZONES**



**LAMISOL® III 70 REFLECT  
WITH 2 ZONES**



**LAMISOL® III REFLECT (OPTION)**

In a modern, computerized work place, protection from glare and heat are of the utmost importance. But losing natural light and the ability to see outside are sacrifices most offices cannot make. Lamisol® III Reflect implements a two or three zone system with the option of perforated slats and the correctly angled slats in the various zones. Natural light is put to good use, visibility is preserved, and glare is prevented, all with one product. Only available with motor type E.

**Glare protection**

Closed slats in the lower zone provide glare protection. The difference in brightness in the field of vision is thereby reduced to the recommended value (field of vision/screen max. 3/1).

**Use of daylight**

The upper zone with open slats allows daylight to be used. The diagram shows the recommended arrangement for a window with parapets. Clarification is required for the glare protection zone in windows between floors, as is illustrated in the example below.

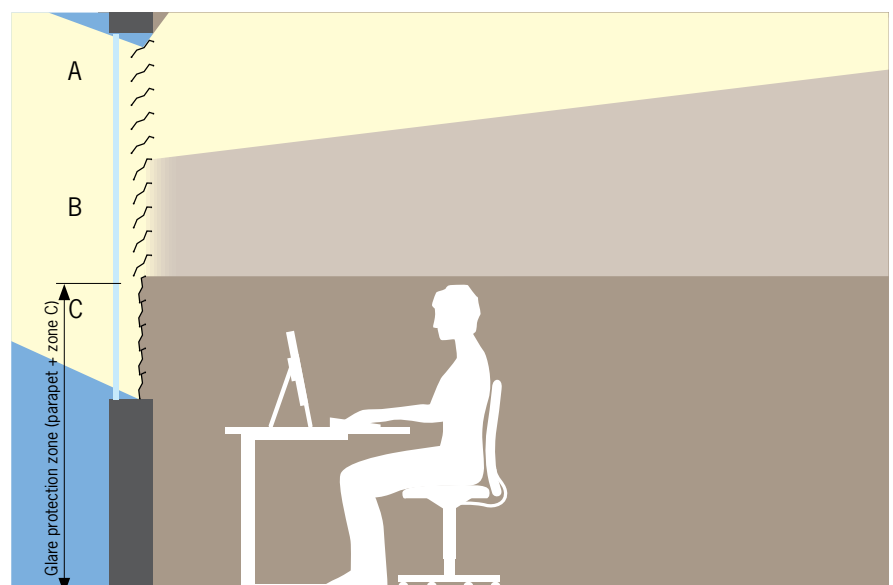
**Example of window with parapet**

Window with hl	2100
Parapet	800
Zone C (1/3)	700
Height of glare protection (parapet + zone C)	1500

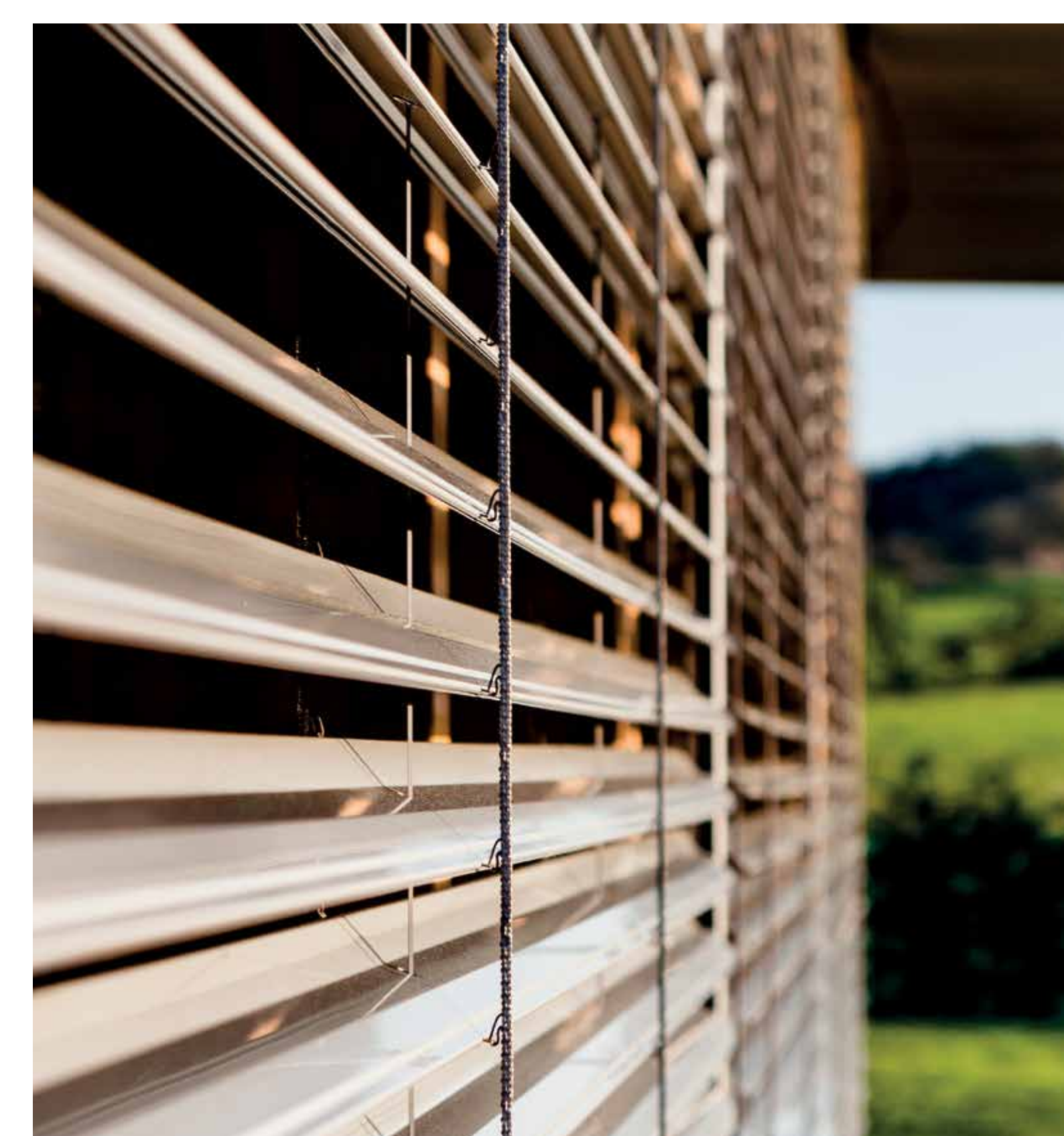
**Example of window between floors**

Window with hl	2700
No parapet	-
Zone C (1/3)	900
Height of glare protection (only zone C)	900

The height of glare protection for the window between floors is clearly too low. Clarification is required for the optimum glare protection zone.



Optimum use of daylight at a modern computerized work place with Lamisol® III 90 Reflect, divided into two zones.



**Your partner:**

Griesser solar shading - Quality since 1882.  
[www.griessergroup.com](http://www.griessergroup.com)

