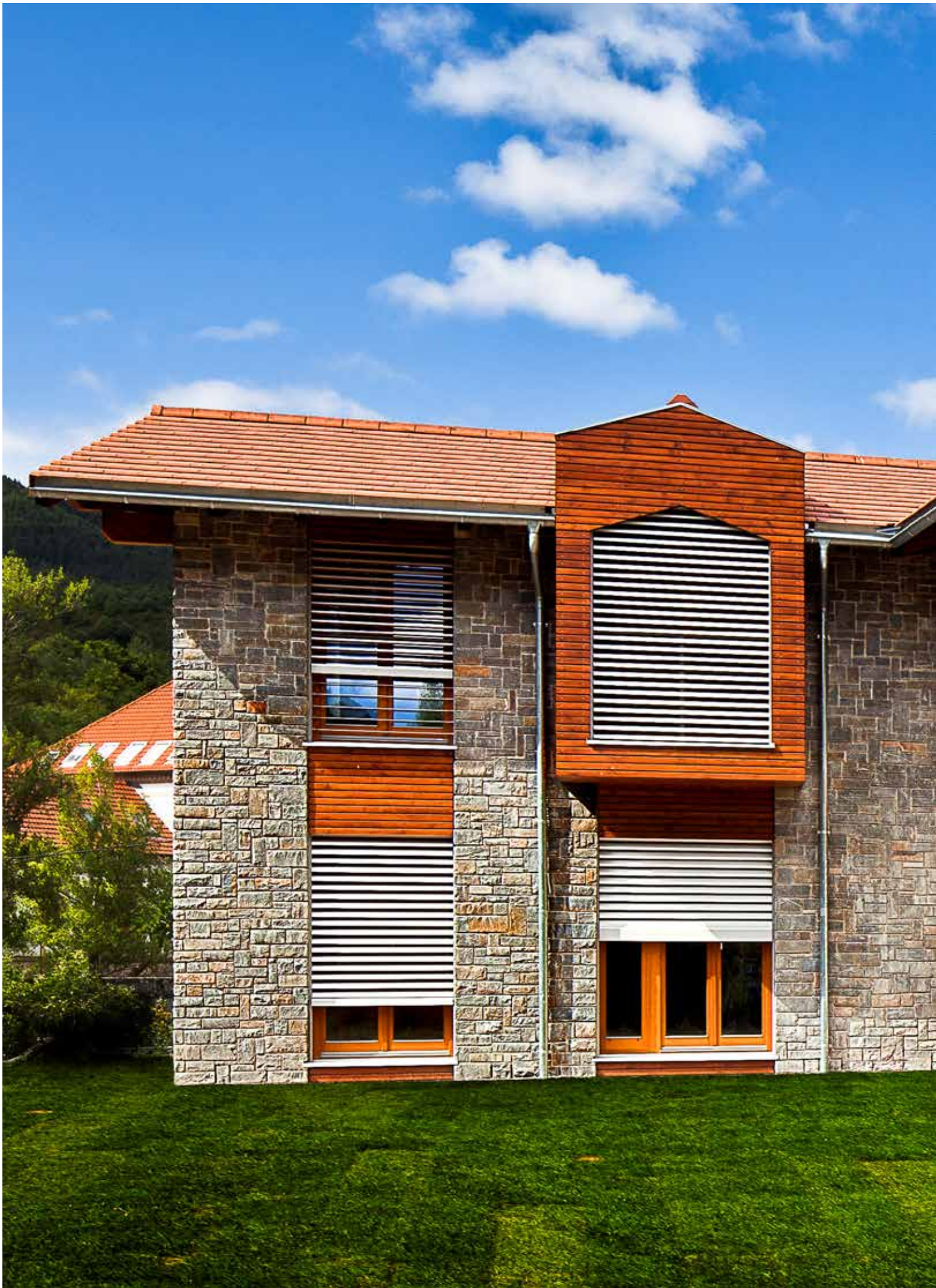


**External venetian blinds from Griesser.
Metalunic V Sinus®**





Metalunic V Sinus®

The flowing form of the Metalunic V Sinus® can be harmoniously integrated into any facade and is ideal for a trendy, contemporary look in home furnishings. The Sinus slats direct sun rays to the ceiling. In doing so, the effect of the light reflected by the curved slats reduces glare on work spaces. Metalunic V Sinus® offers two things in one: use of existing daylight and comfortable glare protection. Self-supporting construction without vertical connections; lifting and adjustment mechanisms are integrated into the guide rails. The robust mechanism provides a reliable safety locking device.



Metalunic V Sinus® is available as a MINERGIE® module in an automated version.



Performance Award
Equip'Baie 2012



Self-supporting



Built-in system



Front mounted system



Up to 50% more use of daylight



Safety locking device

Product-Highlights Metalunic V Sinus®



Each slat fastened individually on the side



Safety sensing edge

TECHNOLOGY IN DETAIL



Use of daylight

As well as being esthetically pleasing, the sinusoidal slat allows up to 50% more daylight into the room. Thanks to the wave-shaped design of the slat, there are no sharp edges to break up the light; instead, the light is guided better to the ceiling without causing glare at low levels.



Safety locking device

The burglary-resistant safety locking device functions in every position with the Metalunic V Sinus®.



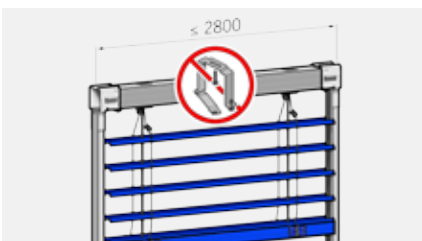
Safety sensing edge

The integrated safety sensing edge causes the blind to stop at once whenever the slats come into contact with an object.



Guide rails

Made from extruded aluminum, 85 × 45 mm, with lifting and adjustment mechanism and sound-absorbing plastic slides on the pivot arms. Anodized or baked enamel finish.



The self-supporting

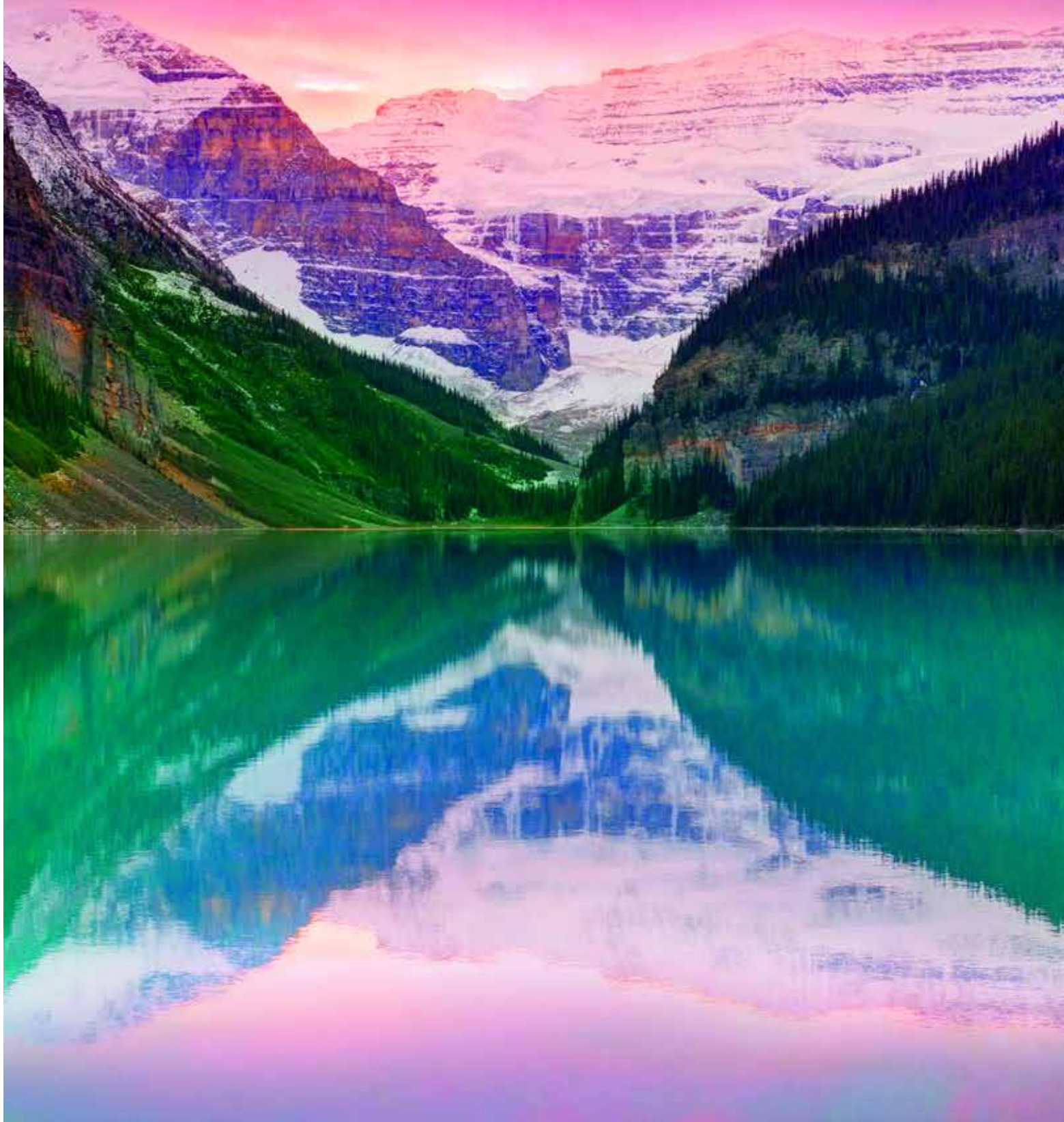
The self-supporting blind design protects the insulation in the header and reduces service costs. The system needs no fastening for the housing for widths of up to 2800 mm – the insulation remains intact and noise transmission is reduced.



Installation system

We offer you the Metalunic V Sinus® in two different installation versions. One for the header situation and one for the version with a screen.

Our color scheme



OUR COLORS

STANDARD COLORS

We have created a selection of the most popular colors for you. This has resulted in our five standard colors RAL 7016, RAL 9007/VSR 907, RAL 9006/VSR140, RAL 9010 and RAL 9016.



RAL 9006/VSR 140



RAL 7016



RAL 9007/VSR 907



RAL 9016



RAL 9010

PREMIUM COLORS

Collection GriColors

The colors of our solar shading systems should reflect your wishes, lend distinction to the character of the architecture and create a personal atmosphere. These wishes are a daily challenge to our developers, planners and lacquerers. The variety available for the color selection recognizes practically no limits, given that we have selected 100 color tones – the GriColors – in addition to the standard colors and divided them into four groups for which nature provided the models. Glass & Stone, Sun & Fire, Water & Moss and Earth & Wood set unique color accents.



Surface structure

Semi-gloss

Collection GriRal Colors

Our GriRal color collection has an assortment of 50 different RAL shades of color. From sand yellow to standard white, we offer a complete selection of hues for every color family. We're convinced that with our color palette, you will find exactly the right shade of color for your needs.



Surface structure

Semi-gloss

BiColor

External venetian blinds get a new color accent: When bright color is dominant outside, a neutral light can optimize the shading function inside. Create your own preferred color combination using our two color collections, GriColors and GriRal (excluding standard colors).

The exterior color shows as a border along the edge of the interior view. Our color recommendations for interior colors: white (VSR 901), light gray (VSR 904) or medium gray (VSR 130).



SPECIAL COLORS

Color means individuality - there are practically no limits to our Special Colors. No wish goes unanswered with additional innumerable and facade-ready color tones.



Our comfort



CONTROLS

Metalunic V Sinus® can be operated through a variety of control systems, from a simple hand-held transmitter to a master control or a building management system, depending on the time, position of the sun and the weather.

Thermal comfort

The ambient conditions change over the course of the day and during the seasons. With a blinds control device from Griesser, you can adjust your solar shading to match your personal requirements in accordance with changing exterior circumstances. And making these adjustments is so simple that you will still have time to take care of the important things in your life.

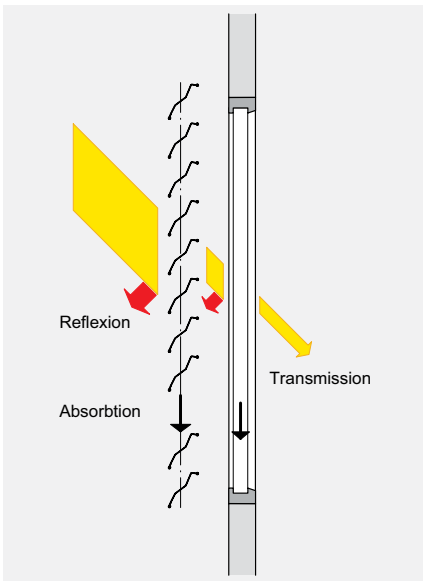
An optimal daylight concept makes artificial air conditioning superfluous in the summer. You save energy costs and may well also avoid one or another unwanted summer cold. In the winter, on the other hand, a solar shading system can protect you against cold and allow the scarce rays of the sun into the room, thus saving once again on energy costs, not to mention facial tissues.

Visual comfort

Having a sense of well-being also means being able to decide for oneself, particularly within one's own four walls, just how much one wants to reveal to the outside world. With Metalunic V Sinus®, you are sheltered from uninvited glances from the outside world.

BILINE - REMOTE CONTROL

The control system Griesser BiLine provides contemporary design and high functional security through routing technology. Wireless systems have the advantage of being installed quickly, not only in new buildings but also when refitting an automated system in existing buildings.



BiLine hand-held transmitter



Centrero server for iPad and iPhone operation



KNX HOME AND BUILDING AUTOMATION

The Griesser KNX solar shading controller is an integrated master control with extensive functionalities for any building of any size. With proven functions such as solar tracking and horizon limitation, it meets the highest expectations for solar shading control.

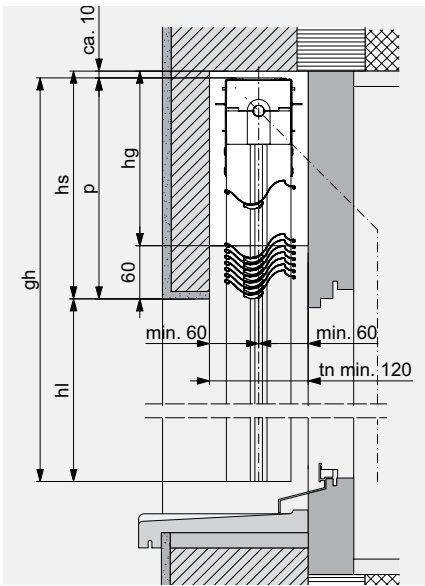


KNX controls per iPad



Technology in detail

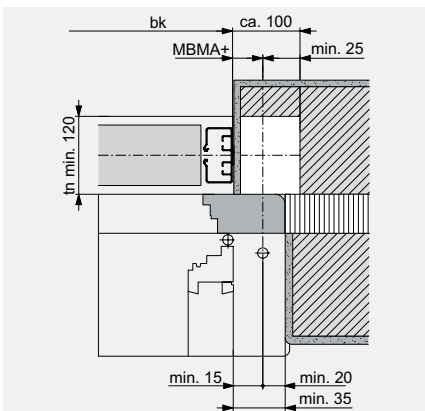
Vertical section: Example of header



BUILT-IN SYSTEM



Top section: for crank drive



Top section for crank drive

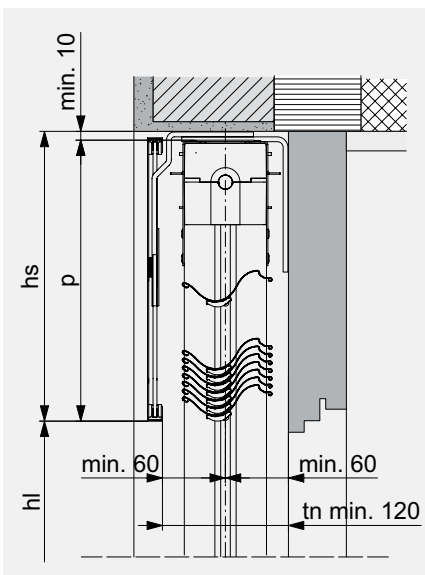
With recess (white) for gearbox (not necessary for motor drive). Depending on the angle of the gearbox output, tn_{min} should be increased by 5-10 mm in this area.
 MBMA+ = Dimension from rear edge of guide rails to centre of drive.

Depth of niche

	tn
Metalunic V Sinus®	min. 120*

* + possible addition for protruding weatherboard or doorknobs. A dimensional tolerance of ± 5 mm is observed for the header height.

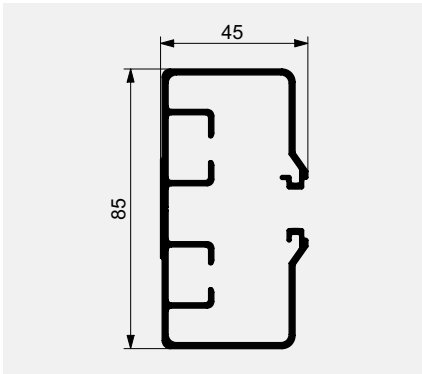
Vertical section: Example with cover



FRONT MOUNTED SYSTEM



LATERAL GUIDE RAILS



LIMIT DIMENSIONS

bk Width of construction (rear edge of guide rails)

Minimum	
crank drive	500
motor drive	700
Maximum	2800

Buildings and high-rise structures which are exposed to high wind should decrease this maximum value as required (see operating instructions).

hl Opening height

Minimum	440
Maximum	4000

bk × hl Maximum surface area

Single blind	
with cCrank drive	6.5 m ²
with cMotor drive	8 m ²
Connected systems (Max. opening height hl 2.3 m; Max. system width 8.4 m)	
with crank drive (max. 3 blinds)	
2 blinds per system	5 m ²
3 blinds per system	4 m ²
with motor drive (max. 3 blinds)	16 m ² *

For 3 or 4 blinds, the motor should be positioned in the centre.

* With standard motor

Header dimensions

Opening height (hl)	Header height (hs) Metalunic V Sinus®
400–1000	270
1001–1250	285
1251–1500	310
1501–1750	340
1751–2000	365
2001–2250	390
2251–2500	420
2501–2750	445
2751–3000	470
3001–3250	500
3501–3500	525
3501–3750	550
3751–4000	580

Header dimensions are approximate values which may exhibit negative or positive deviations depending on the technical circumstances.

KEY

bk = Width of construction

hl = Opening height

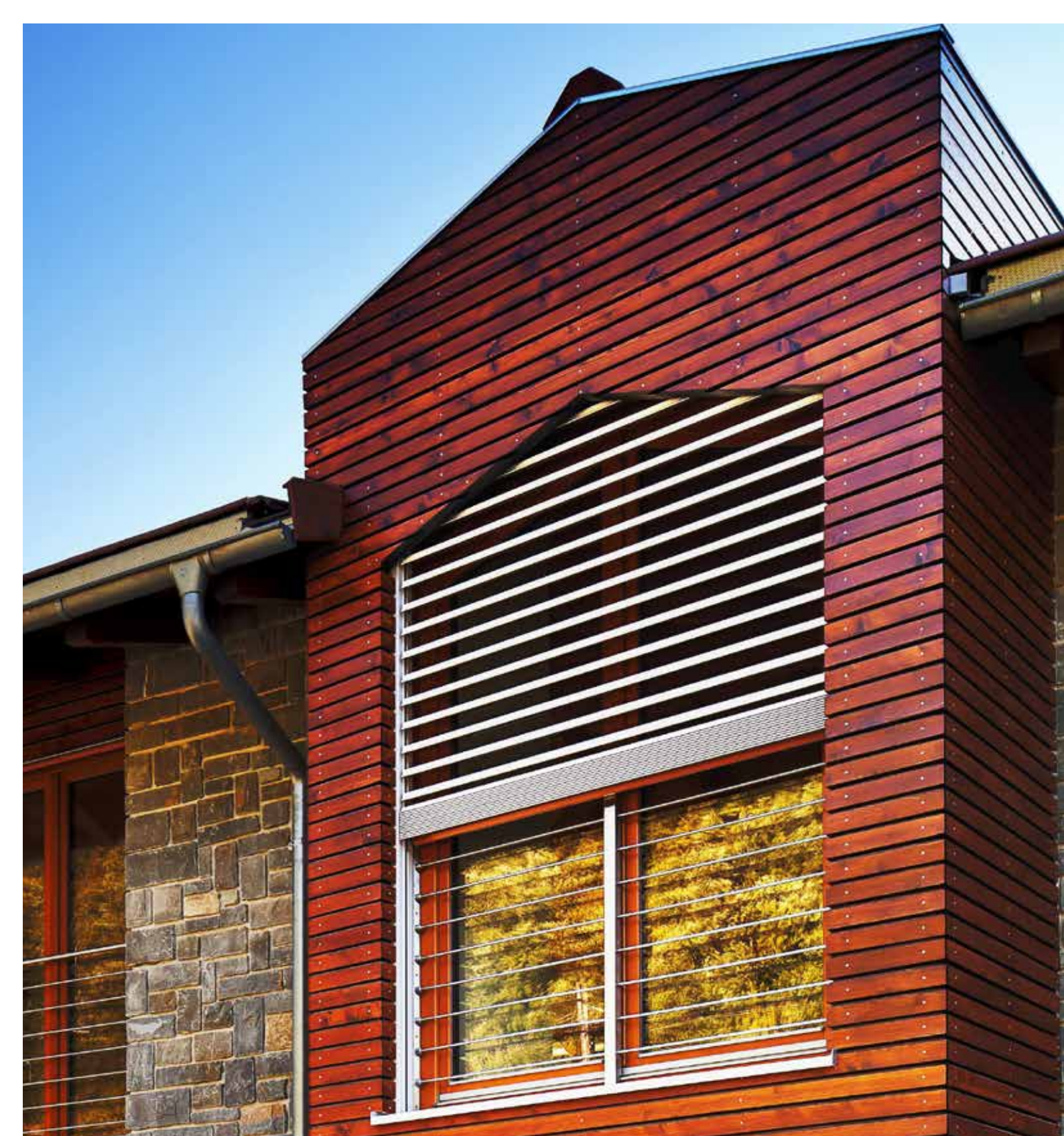
p = Height of package

hs = Header height (p + min. 10)

hg = Height of gearbox recess (hs -60)

tn = Depth of niche

All dimensions in mm.



Your partner:

Griesser solar shading - Quality since 1882.
www.griessergroup.com



Subject to change without prior notice.

V03.15/04.15 2000