

Rolling shutters from Griesser. Monobloc



WIDTH

min. 500/600/700 mm, depending on the version
max. 1600/2000/3000/3500 mm, depending on the version

HEIGHT

min. 500 mm
max. 2250/2500 mm, depending on the version

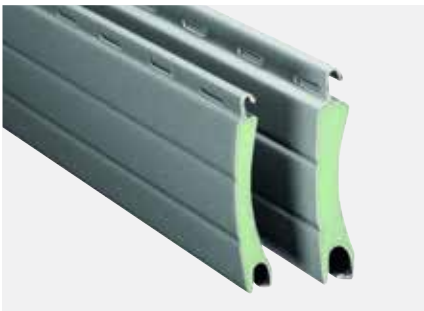
SURFACE

max. 3/3.5/6/7 m², depending on the version

TECHNOLOGY IN DETAIL

- 1 Box
- 2 Guide rail
- 3 Curtain

FRONT-MOUNTED SHUTTER WITH FOAMED SLATS



Aluminum DP 37, 41



PVC M 37



End rail standard with integrated stop brackets.



OPERATION



With motor



With crank



With belt

LIMIT DIMENSIONS MONOBLOC

Aluminum slat DP 37

	bk min.	bk max.	gh min.	gh max.	A max.
Belt	500	3000	500	2500	3 m ²
Crank	500	3000	500	2500	6 m ²
Spring shaft*	500	2000	500	2250	3.5 m ²
Motor	600	3000	500	2500	6 m ²
Radio motor	700	3000	500	2500	6 m ²

Aluminum slat DP 41

	bk min.	bk max.	gh min.	gh max.	A max.
Belt	500	3500	500	2500	3 m ²
Crank	500	3500	500	2500	7 m ²
Spring shaft*	500	2000	500	2250	3.5 m ²
Motor	600	3500	500	2500	7 m ²
Radio motor	700	3500	500	2500	7 m ²

PVC slat M 37

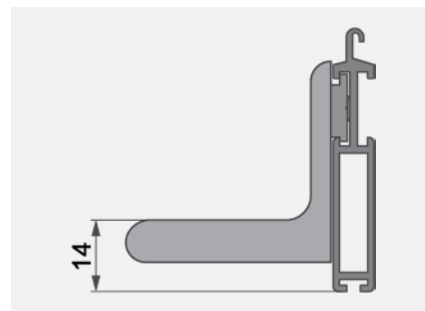
	bk min.	bk max.	gh min.	gh max.	A max.
Belt	500	1600	500	2500	3 m ²
Crank	500	1600	500	2500	3 m ²
Spring shaft*	500	1600	500	2250	3 m ²
Motor	600	1600	500	2500	3 m ²
Radio motor	700	1600	500	2500	3 m ²

* only with curtain without light slots, manual locking necessary.

END RAIL

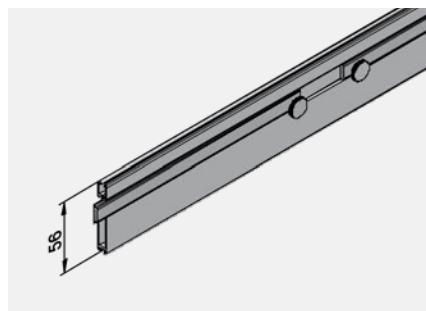


End rail, Type A (option), for manual locking or stop bracket

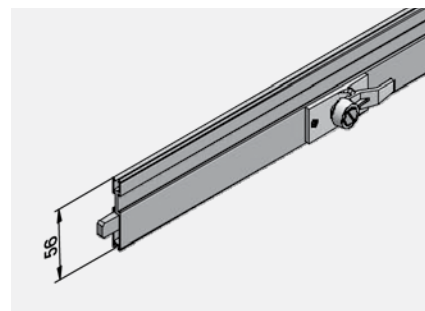


Stop bracket on end rail type A (option)

LOCK

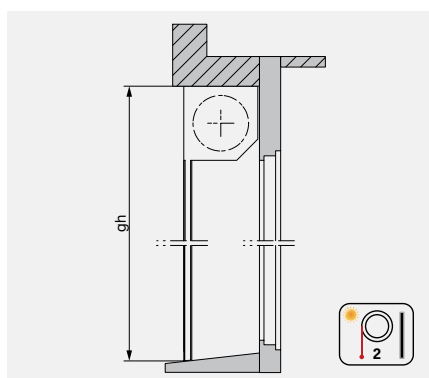
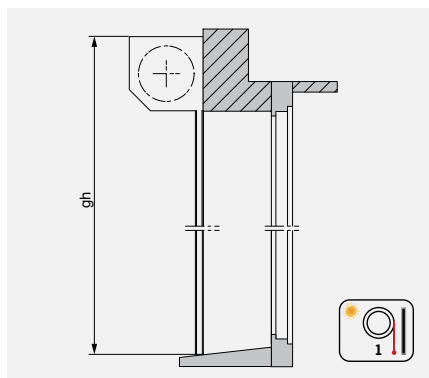
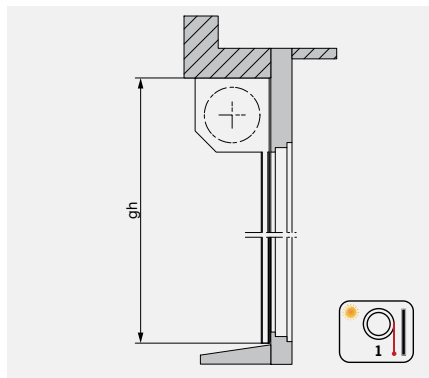


Manual bolt (option)



Central lock (option)

INSTALLATION VERSIONS



LOCK



Automatic locking (option)

FRONT-MOUNTED SHUTTER MONOBLOC



BOX SIZES / TOTAL HEIGHT

Aluminum slat DP 37, PVC slat M 37

gh/total height	Belt/crank	Crank drive with automatic locking	Motor/spring shaft
up to 1100	125	125	137
1300	137	137	150
1500	137	150	150
1700	150	150	165
1900	150	165	165
2100	165	165	165
2500	165	180	180

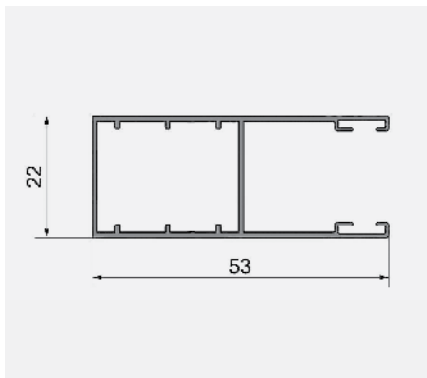
Aluminum slat DP 37, PVC slat M 37

gh/total height	Belt/crank	Crank drive with automatic locking	Motor/spring shaft
up to 1100	150	150	150
1300	150	150	150
1500	150	150	150
1700	150	150	180
1900	150	180	180
2100	180	180	180
2500	180	180	180

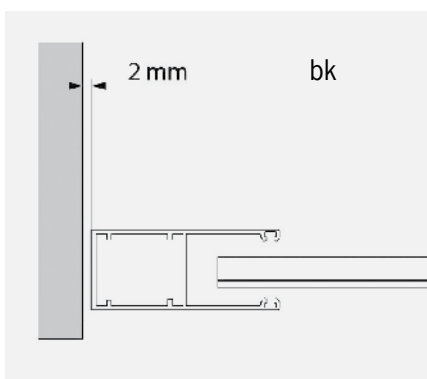
Aluminum slat DP 41

gh/total height	Belt/crank/spring shaft/motor	Belt/crank/spring shaft/motor
up to 1100	137	150
1500	150	150
1900	165	180
2500	180	180

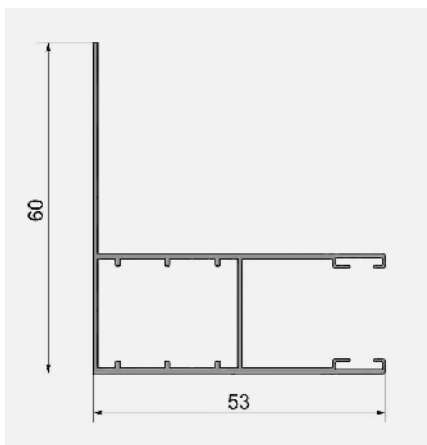
GUIDE RAILS



Standard guide rail



bk: Width of construction



Guide rail with stop bracket

KEY

- bk = Width of construction
 - gh = Total height
 - kt = Box width
 - kh = Box height
 - S = Unobstructed passage of the curtain:
min. 40 mm; min. 45 mm for rolling shutters with widths > 2450 mm
- All dimensions in mm.

BOX TYPES

Angled



Sizes: 125, 137, 150, 165, 180

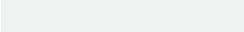


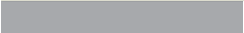
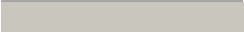

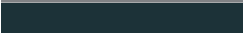



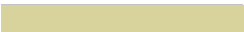
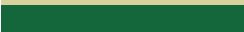










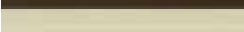




Rounded



Sizes: 150, 180



COLORS

Rollcolors			Frame	Slats		
			End rail, guide rails and box	Alu DP 37	Alu DP 41	PVC M37
VSR 010	NCS S 0502-B		●	●	●	●
VSR 901	NCS S 0502-Y		●	●		
VSR 904	NCS S 1502-G		●	●		
VSR 140	RAL 9006		●	●	●	
VSR 130	NCS S 3000-N		●	●		
VSR 907	RAL 9007		●	●		
	RAL 7016		●	●	●	
VSR 720	NCS S 1080-Y20R		●	●		
VSR 120	NCS S 3560-Y80R		●	●		
VSR 330	NCS S 3560-R		●	●	●	
VSR 909	NCS S 2020-G90Y		●	●		
VSR 220	NCS S 7020-B90G		●	●	●	
VSR 908	NCS S 3040-B40G		●	●		
VSR 440	NCS S 5040-B		●	●	●	
VSR 903	NCS S 4030-R90B		●	●		
VSR 906	RAL 5002		●	●		
VSR 240	NCS S 2010-Y30R		●	●	●	●
VSR 110	NCS S 4010-Y50R		●	●	●	
VSR 780			●	●		
VSR 071	NCS S 8010-Y50R		●	●		
G 18	RAL 7038		●	●	●	●
G 22	NCS S 8010-Y10R		●	●	●	
G 23	NCS S 1010-Y10R		●	●	●	●
G 44	RAL 9005		●	●	●	
G 60	NCS S 8505-Y80R		●	●	●	
G 31	Imitation Teak			●	●	
G 84	Imitation Golden Oak			●	●	



DESCRIPTION

Front-mounted shutter made of aluminum

Rolling shutters with curtain made of aluminum or PVC for new buildings and renovations, self-supporting system, guides with and without stop bracket. Box size depending on curtain height and drive/operation. Octagonal tube, for smallest possible box size.

Curtains

Double-walled, foam-filled aluminum slats, 37 and 41 mm. Curved slats, foam-filled with polyurethane foam (100% CFC-free). Slats made of 37 mm PVC: double-walled slat. All slat types are available with and without light slots.

End rail, guide rails and box

End rail with rubber insert, guide rails with brushes, box made of profiled aluminum.

Drive

The rolling shutters are equipped with a 230 V/50 Hz motor drive, belt drive or an articulated crank drive.

CONTROLS

Monobloc can be operated through a variety of control systems, from a simple hand-held transmitter to a master control or a building management system, depending on the time, position of the sun and the weather.

PLANNING AND OPERATING INSTRUCTIONS

The instructions in the Technical Data Sheets are to be observed when planning the solar shading.

The systems must not be operated if there is a risk of ice.

The systems must be accessible for maintenance work.

Observe the VSR data sheets or information in EN 13659 wind classes.

COLORS

Curtain

Standard Colors: Aluminium (RAL 9006/VSR 140, PVC: RAL 7038) or white (VSR 010)
RollColors: Color specifications per slat type in accordance with table

End rail and guide rails

Standard Colors: Transparently anodized, aluminium (RAL 9006/VSR 140) or white (VSR 010)
RollColors: 26 colors in accordance with table, except imitation of wood

Box

Standard Colors: Aluminium (RAL 9006/VSR 140) or white (VSR 010)
RollColors: 26 colors in accordance with table, except imitation of wood
