

**Rolling shutters from Griesser.
Rolpac® III**

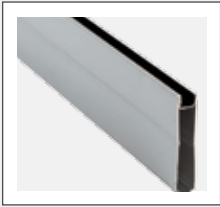




Rolpac® III

The robust stackable shutter Rolpac® III is a shading alternative to external venetian blinds – especially designed for bedrooms. It stacks the movable slats which fold under each other. The result is a packet with a small depth and height allowing it to fit into a standard niche. Light slots allow light to enter and air ventilation. When in the closed position, Rolpac® III assures a safety locking device. And the integrated safety sensing edge prevents the stackable shutter from being damaged when it encounters obstacles.





Black groove



Built-in system in a niche



Built-in system with cover

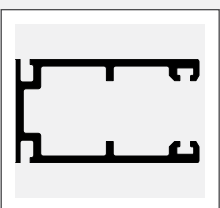


Space-saving built-in system



More daylight thanks to slat spacing

Product Highlights Rolpac® III



Deep guide rails

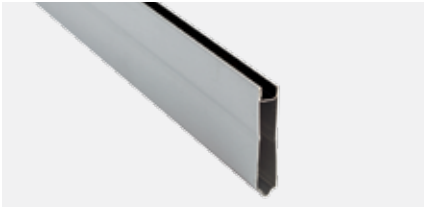


Integrated safety sensing edge



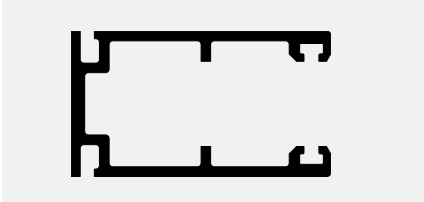
Safety locking device

PRODUCT ADVANTAGES IN DETAIL



Shading 41 mm slats with groove and ridge

The positive-fit stacking of the slats creates good darkening. In addition, the groove is painted black with some of the light colors: VSR 010, VSR 130, VSR 240, VSR 901, VSR 904 and RAL 9010.



Deep guide rails

The large retraction depth of the curtain into the guide rails reduces the amount of light from the side.



Space-saving front mounted system with an elegant niche closure

Since the slats aren't rolled up but rather folded on top of one another, the resulting packet is smaller in both depth and height. The Rolpac® III can be mounted into a standard lintel. The slat support functions simultaneously as an elegant niche closure.



More light thanks to slat spacing

Movable slat connections of stainless steel result in an air and light slot of approx. 6 mm (approx. 1/4).



Burglary-resistant safety locking device

When closed, the mechanism prevents the curtain from being easily pushed up.



Safety sensing edge

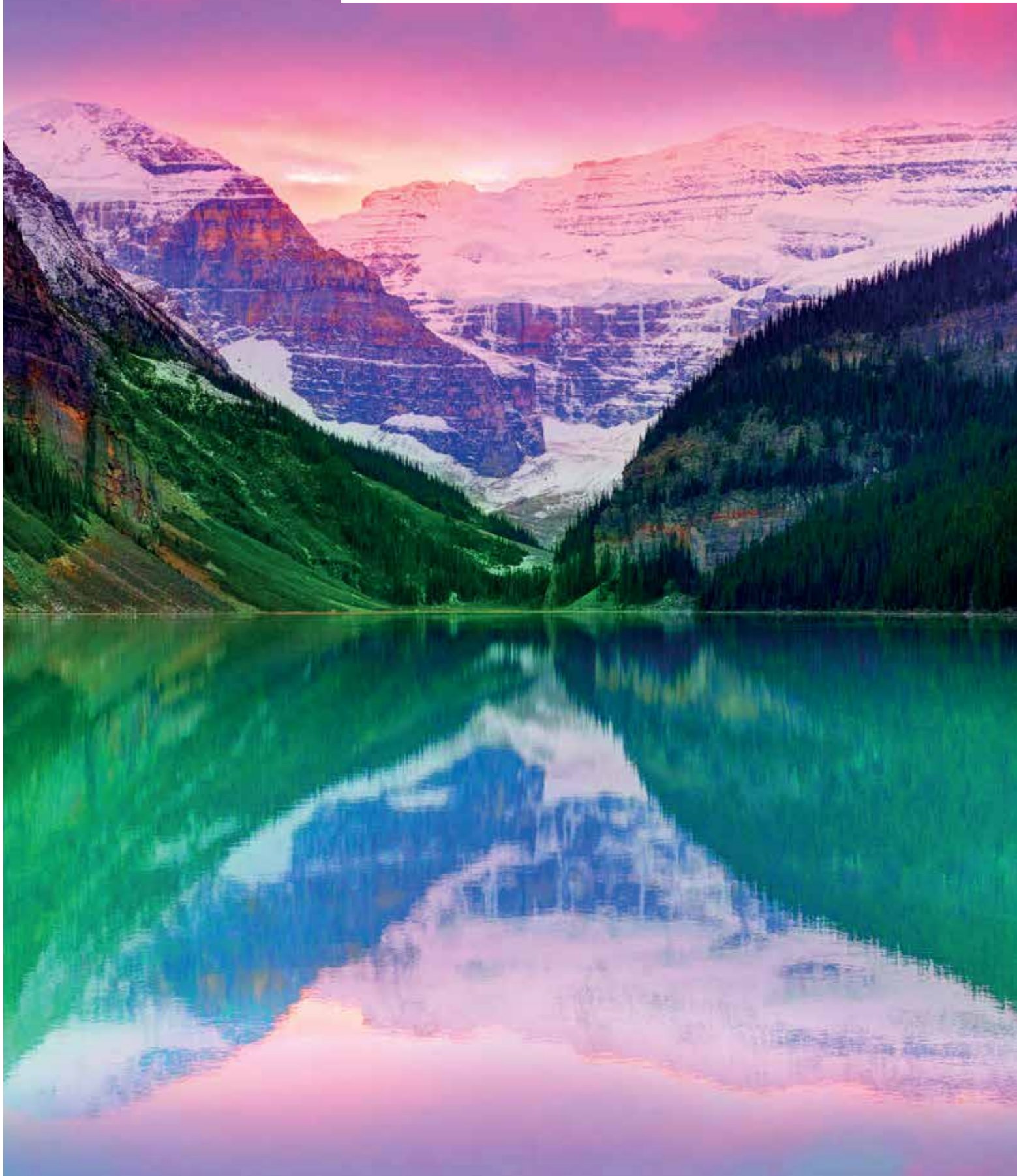
The integrated safety sensing edge causes the Rolpac® III to stop at once whenever the slats encounter an obstacle.



Built-in system

We offer the Rolpac® III in two different installation versions. One for a niche situation and one for a version with a screen.

Our color scheme



OUR COLORS

PREMIUM COLORS

Collection GriColors

The colors of our solar shading systems should reflect your wishes, lend distinction to the character of the architecture and create a personal atmosphere. These wishes are a daily challenge to our developers, planners and lacquerers. The variety available for the color selection recognizes practically no limits, given that we have selected 100 color tones – the GriColors – in addition to the standard colors and divided them into four groups for which nature provided the models. Glass & Stone, Sun & Fire, Water & Moss and Earth & Wood set unique color accents.



Surface structure

Semi-gloss



SPECIAL COLORS

Color means individuality - there are practically no limits to our Special Colors. No wish goes unanswered with additional innumerable and facade-ready color tones.

Our comfort



CONTROLS

Rolpac® III can be operated through a variety of control systems, from a simple hand-held transmitter to a master control or a building management system, depending on the time, position of the sun and the weather.

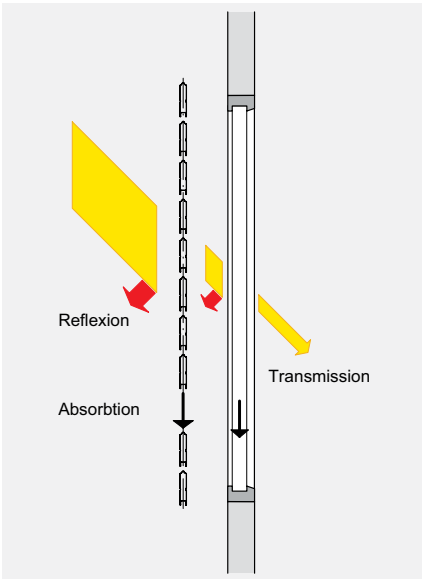
Thermal comfort

The ambient conditions change over the course of the day and during the seasons. With a blinds control device from Griesser, you can adjust your solar shading to match your personal requirements in accordance with changing exterior circumstances. And making these adjustments is so simple that you will still have time to take care of the important things in your life.

An optimal daylight concept makes artificial air conditioning superfluous in the summer. You save energy costs and may well also avoid one or another unwanted summer cold. In the winter, on the other hand, a solar shading system can protect you against cold and allow the scarce rays of the sun into the room, thus saving once again on energy costs, not to mention facial tissues.

Visual comfort

Having a sense of well-being also means being able to decide for oneself, particularly within one's own four walls, just how much one wants to reveal to the outside world. With O® III, you are sheltered from uninvited glances from the outside world.



BiLine hand-held transmitter



Centrero server for iPad and iPhone operation

BILINE - REMOTE CONTROL

The control system Griesser BiLine provides contemporary design and high functional security through routing technology. Wireless systems have the advantage of being installed quickly, not only in new buildings but also when refitting an automated system in existing buildings.



KNX HOME AND BUILDING AUTOMATION

The Griesser KNX solar shading controller is an integrated master control with extensive functionalities for any building of any size. With proven functions such as solar tracking and horizon limitation, it meets the highest expectations for solar shading control.



KNX controls per iPad

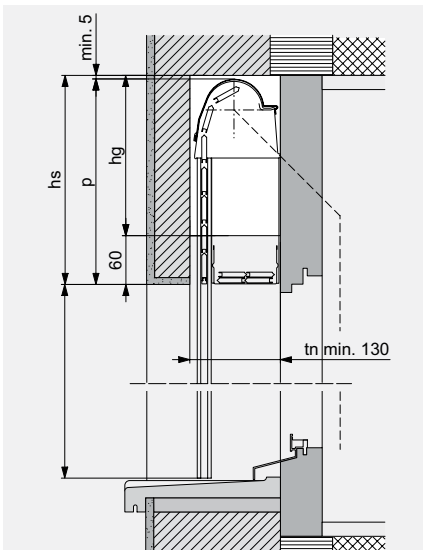






Technology in detail

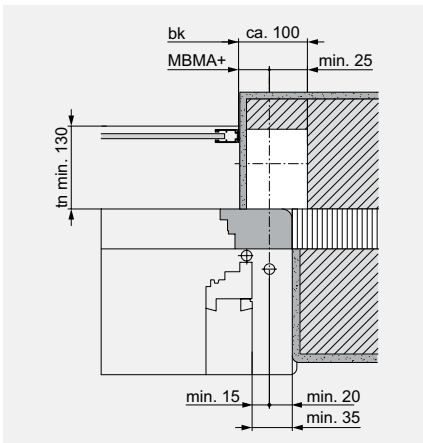
Vertical section: Example of header



BUILT-IN SYSTEM IN A NICHE



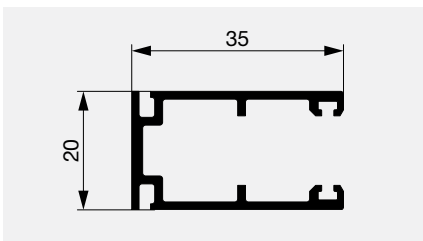
Top section: for crank drive



Top section for crank drive

With recess (white) for gearbox (min. 50 mm for motor drive).
 MBMA+ = Dimension from rear edge of guide rails to centre of drive.

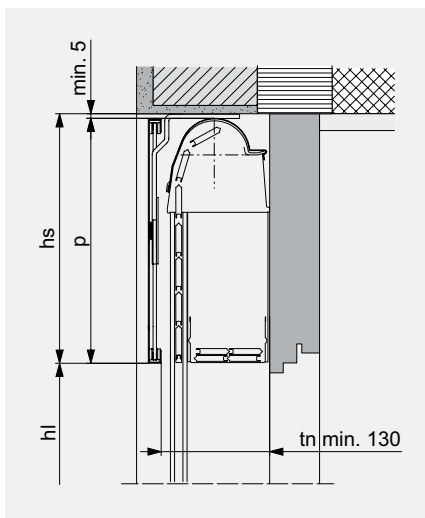
LATERAL GUIDE RAILS



KEY

bk = Width of construction
 hl = Opening height
 p = Height of package
 hs = Header height (p + min. 10)
 hg = Height of gearbox recess (hs - 60)
 tn = Depth of niche
 All dimensions in mm.

**Vertical section:
Example with cover**



BUILT-IN SYSTEM WITH COVER



Depth of niche

	tn
Rolpac® III	min. 130*

* + possible addition for protruding weatherboard or doorknobs. A dimensional tolerance of ± 5 mm is observed for the header height.



The installation set enables a secure and rapid installation of the shutters.

LIMIT DIMENSIONS

bk Width of construction (rear edge of guide rails)

Minimum	
crank drive	340
motor drive	760*
Maximum	3100

In the case of buildings and high-rise structures which are very exposed to wind, this maximum value should be decreased as required (see operating instructions).

*500 with shortened motor

hl Opening height

Minimum	340
Maximum	2700

bk × hl Maximum surface area

Single rolling shutter	
crank drive	7 m ²
motor drive	7 m ²
Connected systems	
crank drive (max. 4 rolling shutters)	8 m ²
A maximum of 2 rolling shutters may be connected on each side of the gearbox.	
motor drive (max. 2 rolling shutters)	8 m ²

Header dimensions

Opening height (hl)	Header height (hs)*
340–1050	230
1051–1320	260
1321–1600	290
1601–1870	320
1871–2150	350
2151–2425	380
2426–2700	410

*A clearance of 5 mm is included in the above dimensions to make up for the dimensional tolerance of the header height. For technical reasons the header height must not be interpolated for intermediate dimensions.

Gearbox recess: The height of the gearbox recess h_g depends on the necessary header height h_s . With a motor drive, the height h_g is at least 200 mm. Therefore with header heights of less than 260 mm, the standard spacing of 60 mm between the bottom of the gearbox recess and the bottom of the header must be decreased accordingly.





Your partner:

Griesser solar shading - Quality since 1882.
www.griessergroup.com



Subject to change without prior notice.

V01.15