

Articulated cranks

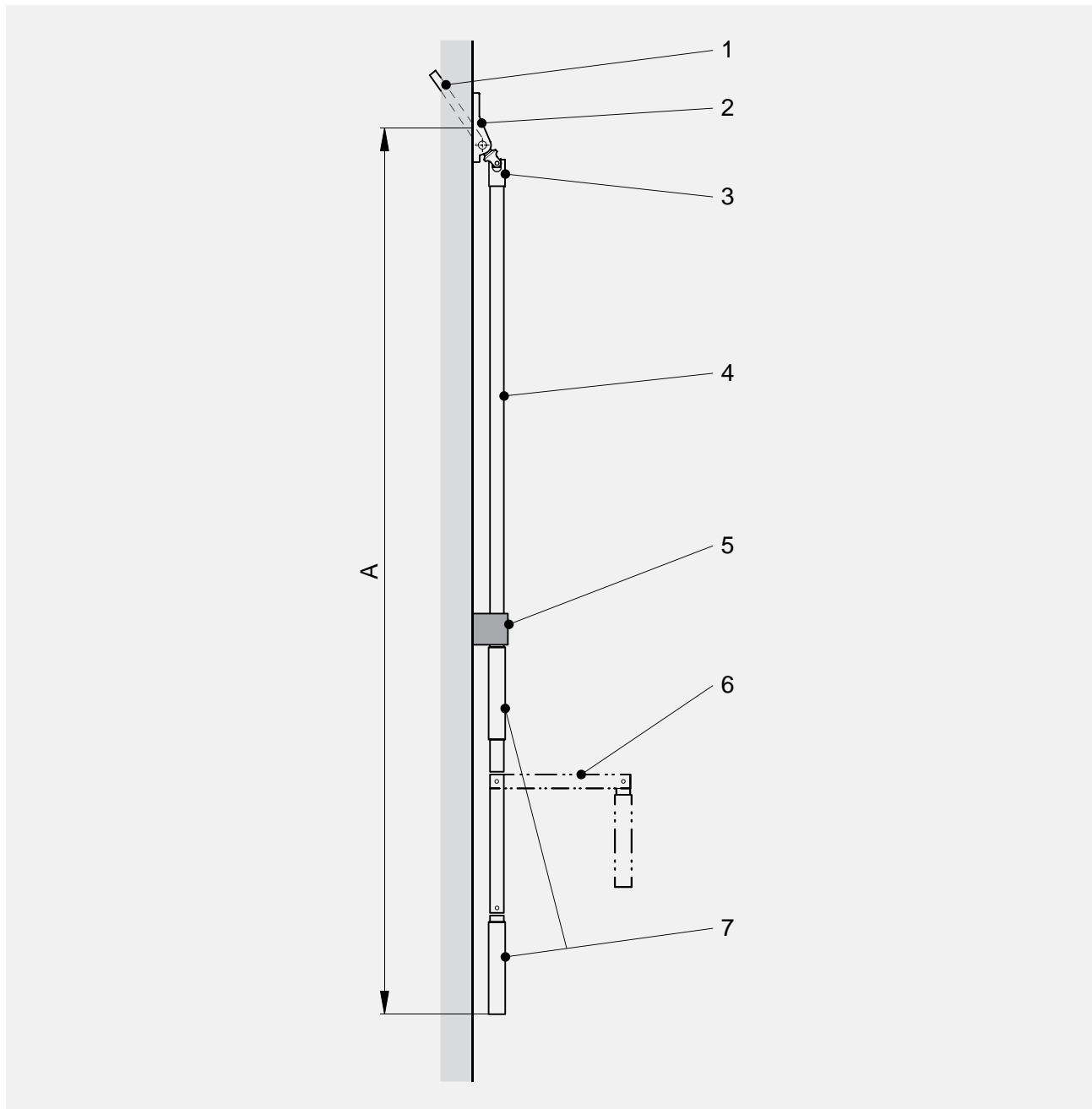


ARTICULATED CRANKS	439
HINGE GUIDES	459

Articulated cranks

ARTICULATED CRANK TYPES	440
STANDARD LENGTHS DEPENDING ON TYPE	442

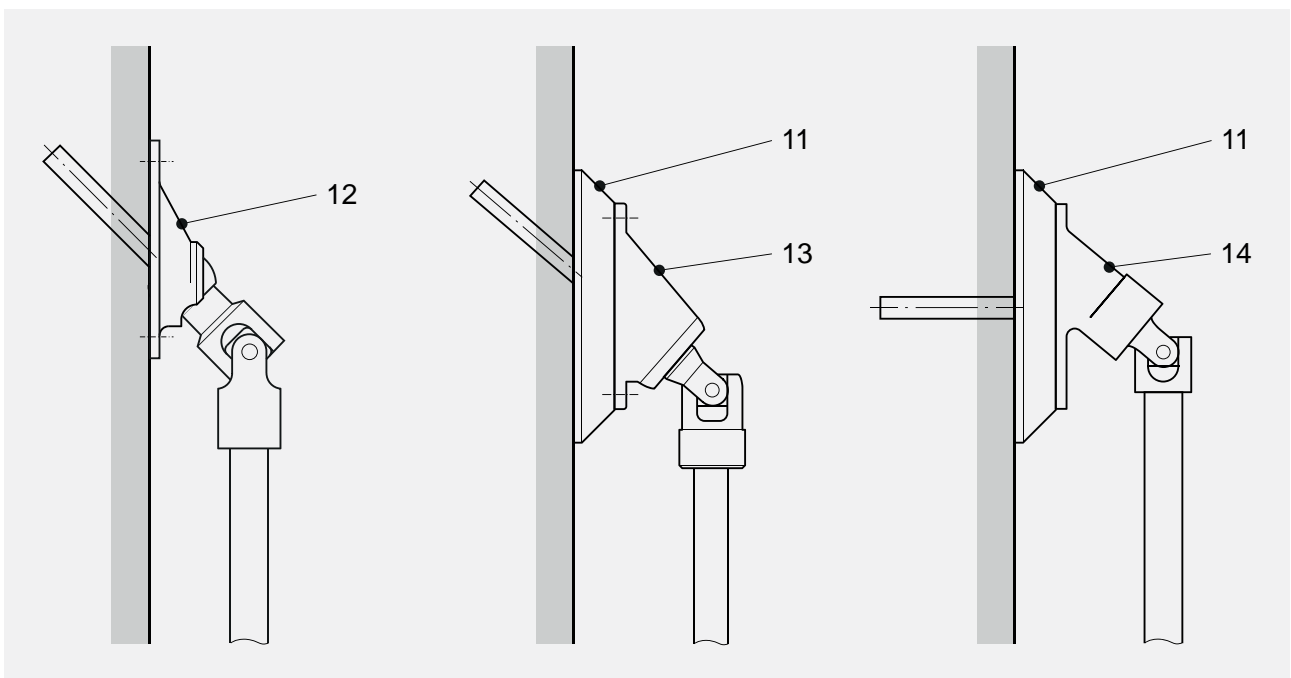
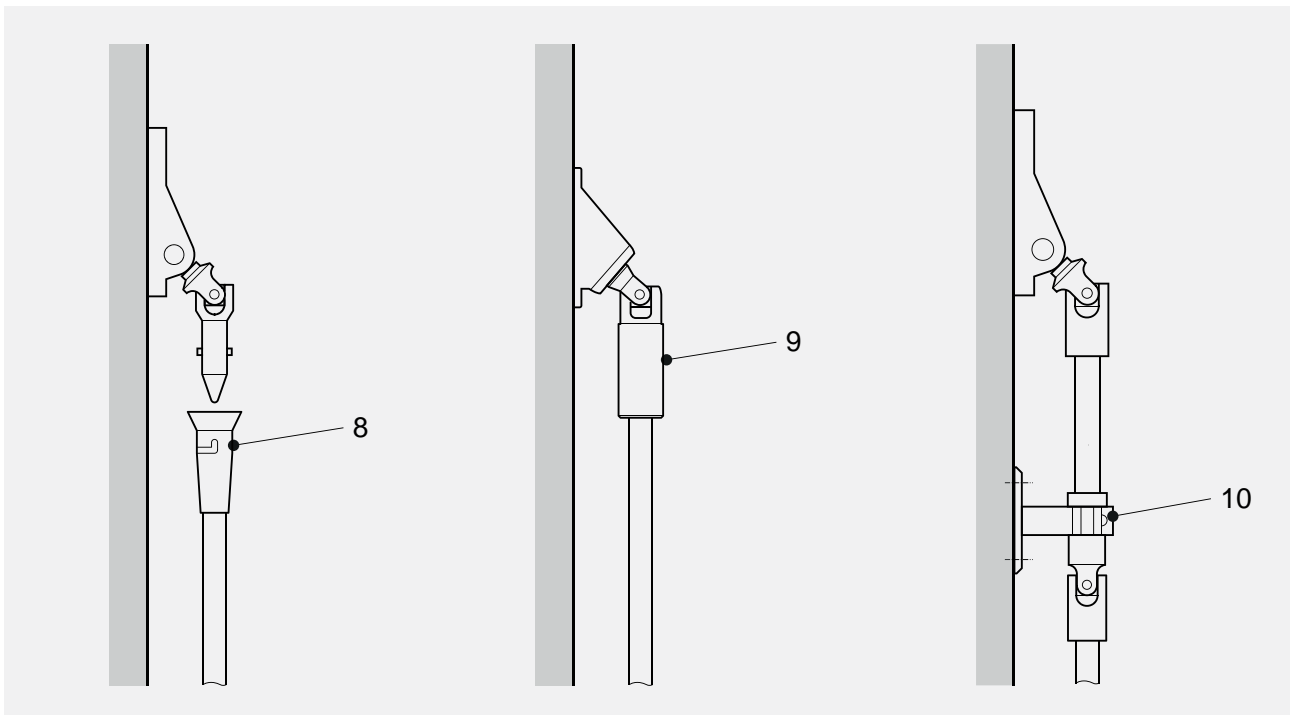
APÓSULAMANOFAMIS ARFESULADAS



➔ Value for A

442

Pos.	Description	Material	Color, Color index	
			gray, 1	white, 3
1	Square shaft	Steel	galvanized	galvanized
2	Hinge guide	Plastic	gray	white
3	Universal hinges	Aluminum	transp. anodized	transp. anodized
4	Connection pipe	Steel	gray covering	white covering
5	Magnetic crank holder	Plastic	gray	white
6	Articulated crank	Steel	nickel-plated	nickel-plated
7	Handles	Plastic	gray	white



Pos.	Description	Material	Color
8	Bayonet lock	Steel	nickel-plated
9	Overload protection device	Steel	nickel-plated
10	Wall holder single rod guide	Steel	nickel-plated
11	KS base plate	Plastic	gray
12	Hinge guide type 70	Steel	nickel-plated
13	Hinge guide type 75	Plastic	gray, white
14	Hinge guide type 22x75	Steel	nickel-plated

STANDARD LENGTHS DEPENDING ON TYPE

A*	
550	1300, 1350
600, 650	1400, 1450
700, 750	1500, 1550
800, 850	1600, 1650
900, 950	1700, 1750
1000, 1050	1800, 1850
1100, 1150	1900, 1950
1200, 1250	2000

* A > 2000 on request. Not available ex-stock. A varies by +10/-50 depending on the type.

Delivery of accessories

Hinge guide for types **04** to **15**:

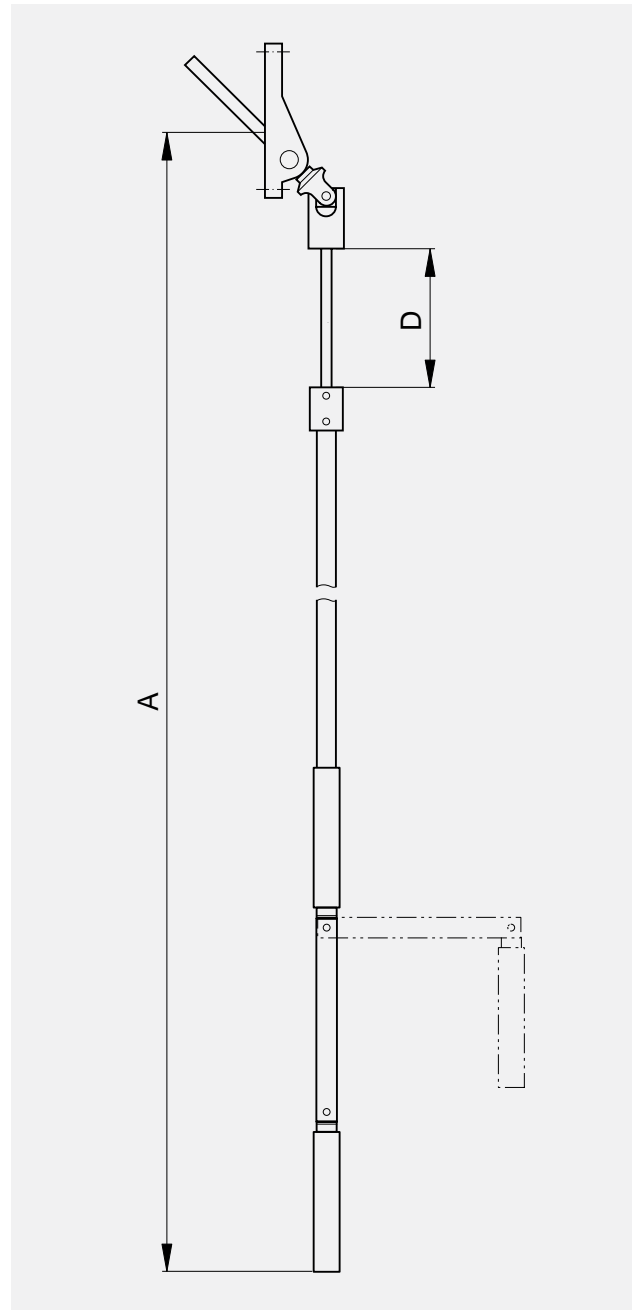
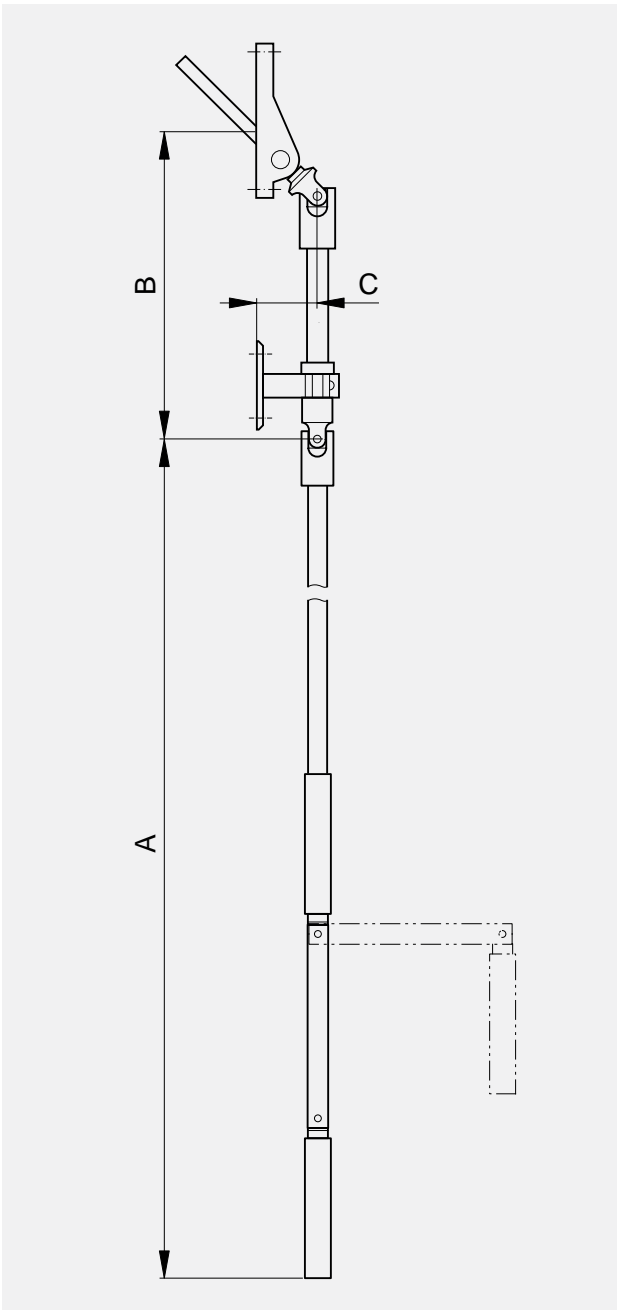
- Base plate
- Hinge guide
- Retaining plate
- Ball halves

With single rod guide for types:

Extendable in length

23 24 25 54 58 67 68 69

Always aluminum, transparently anodized

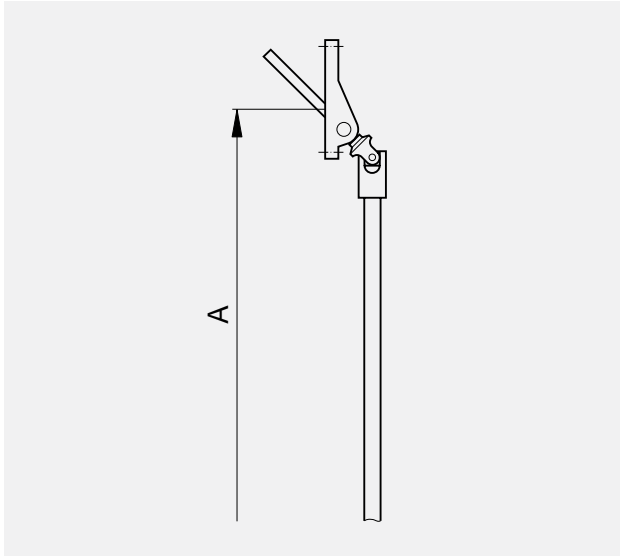


C
33*
* or according to order

A	D (extendable)
≥ 650	100
≥ 750	200
≥ 850	300
≥ 950	400
≥ 1050	500

Standard

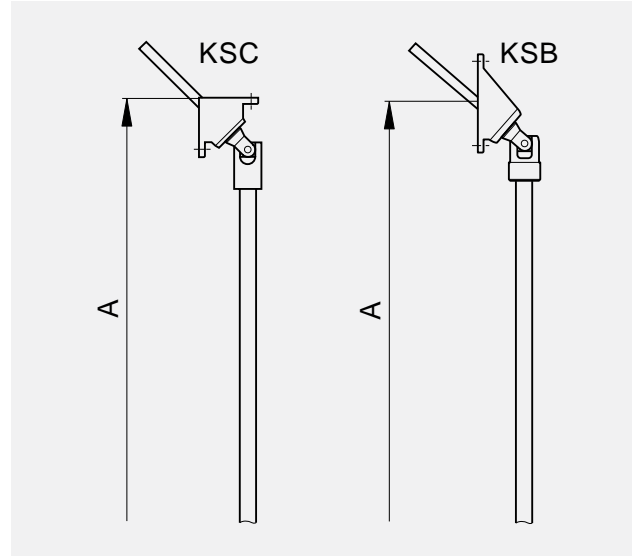
8 mm



A
min. 550

Hinge guide

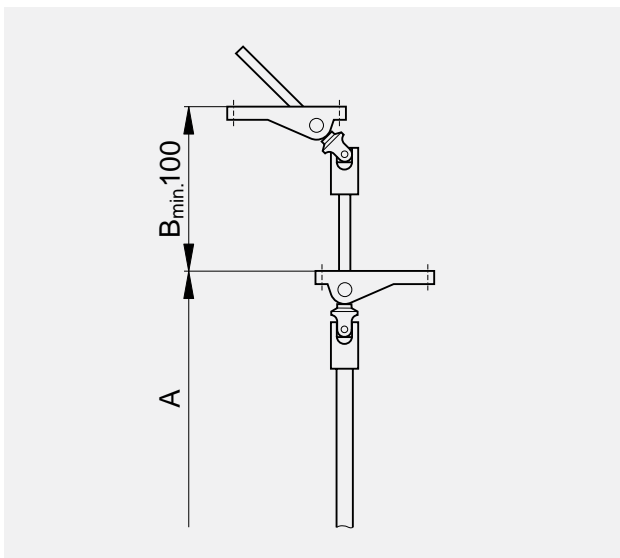
01 25 x 90



A
min. 550

Hinge guide

04 KSB 35 x 75
05 KSC 35 x 44 / 44

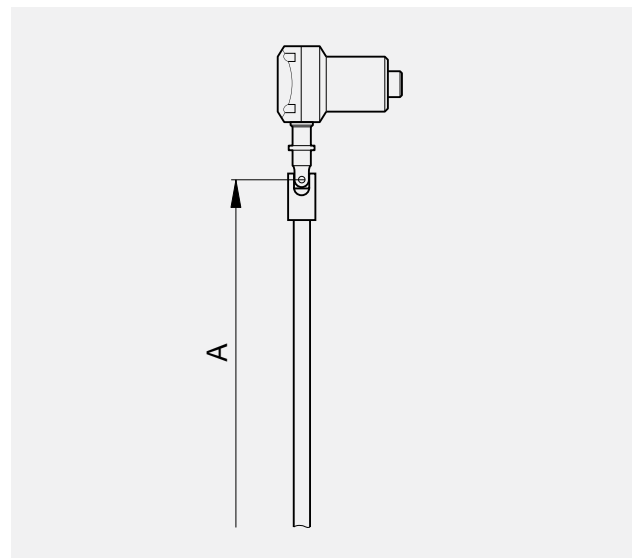


A
min. 550

B
according to order

Hinge guide

18 25 x 90



A
min. 550

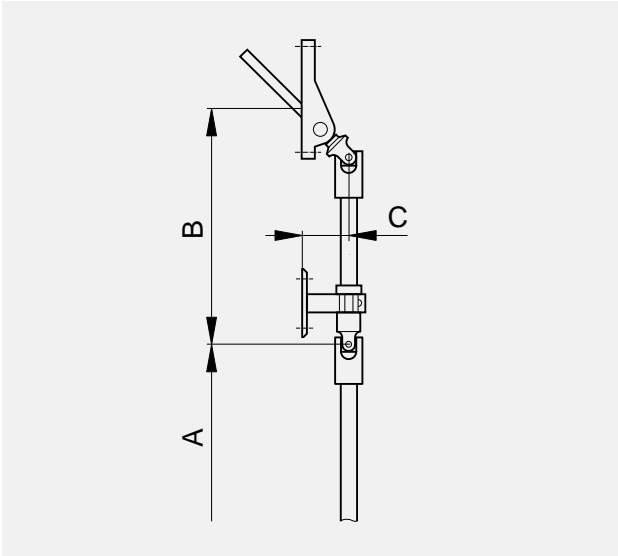
Articulated crank

21 directly on gearbox*

* Gearbox is not included with crank delivery.

Standard

8 mm



A

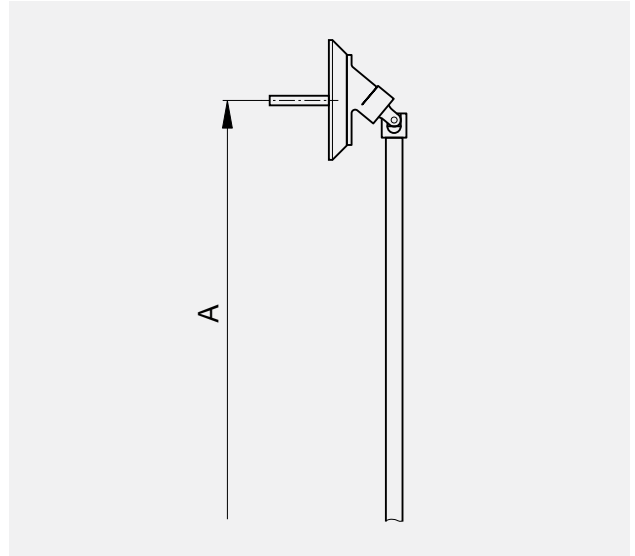
min. 550

B, C

according to order

Hinge guide
with single rod guide

23 25 x 90



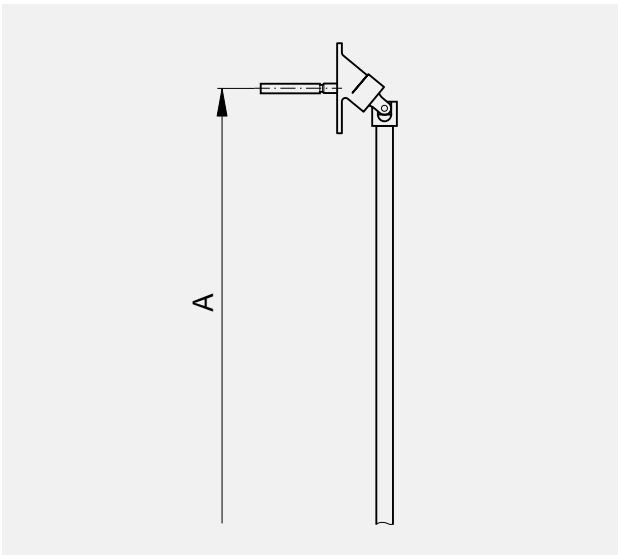
A

min. 550

Hinge guide 90°

31 22 x 75

KS base plate 60 x 100



A

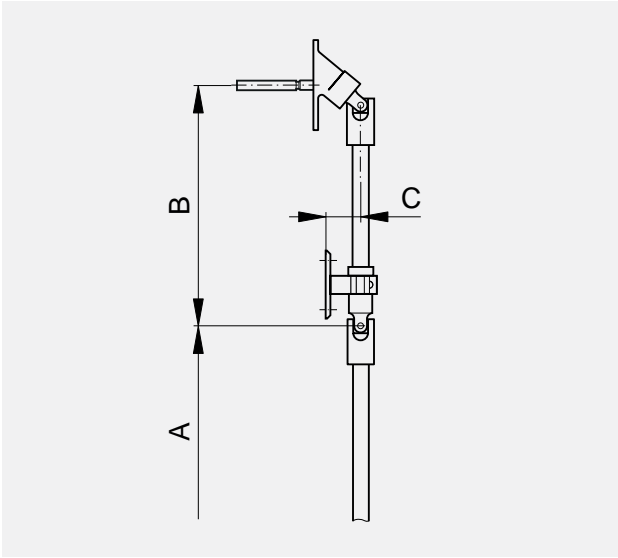
min. 550

Hinge guide 90°

37 22 x 75

Standard

8 mm

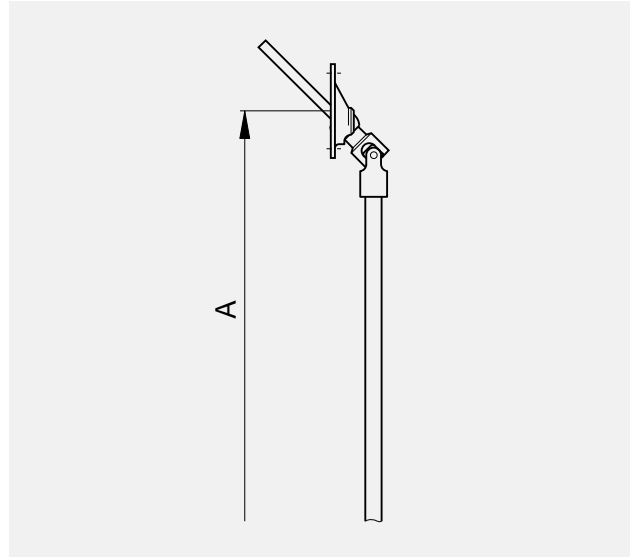


A
min. 550

B, C
according to order

Hinge guide 90°
with single rod guide

67 22 x 75



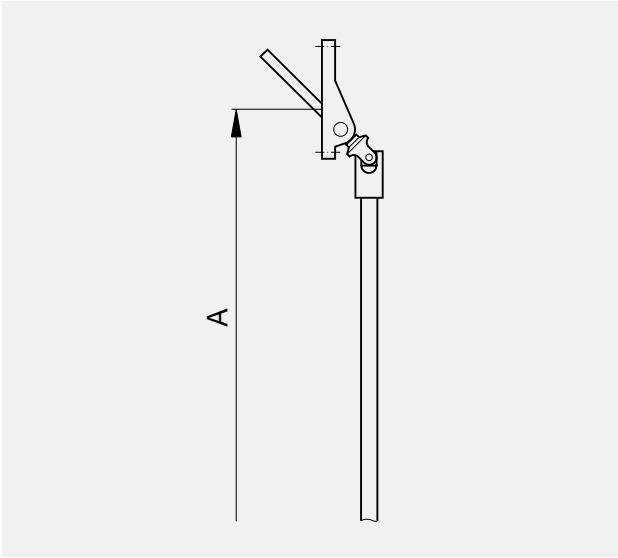
A
min. 550

Hinge guide

70 36 x 70

Standard

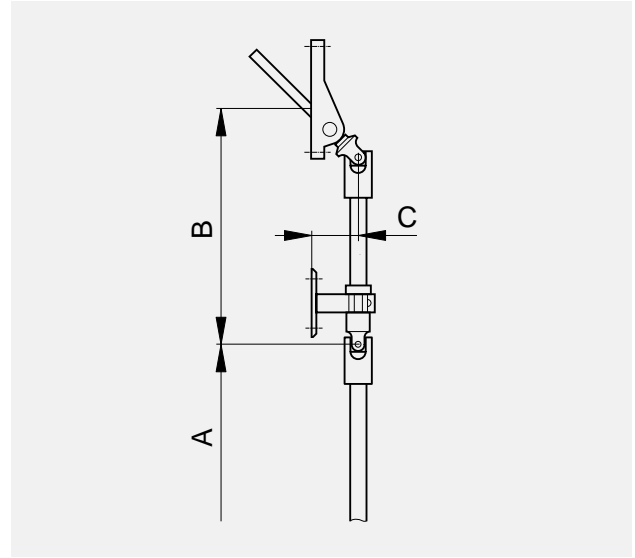
6 mm



A
min. 550

Hinge guide

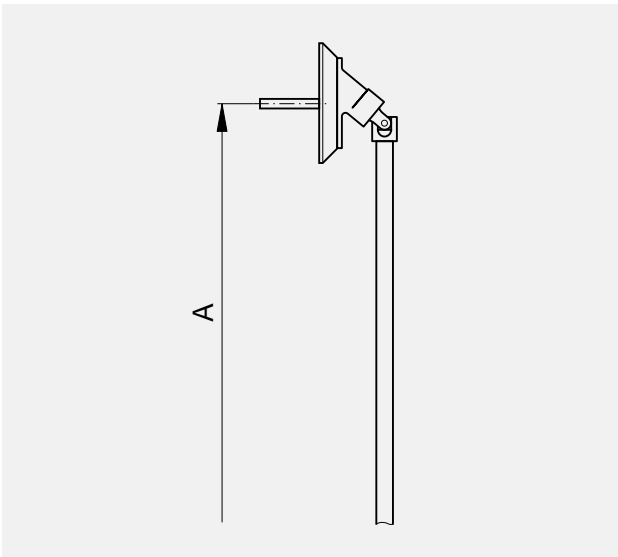
51 25 x 90



A min. 600
B, C according to order

Hinge guide
with single rod guide

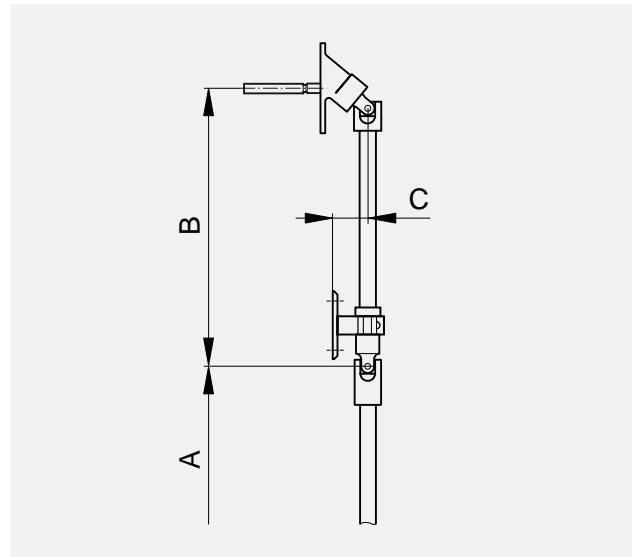
54 25 x 90



A
min. 550

Hinge guide 90°

55 22 x 75



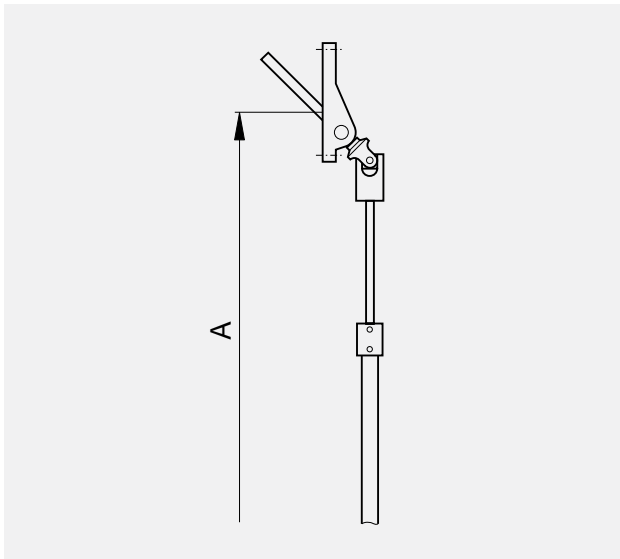
A min. 550
B, C according to order

Hinge guide 90°
with single rod guide

58 22 x 75

Extendable in length

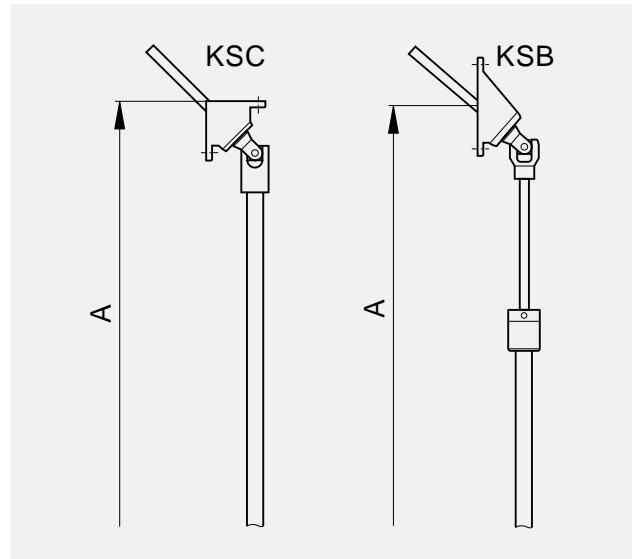
8 mm



A
min. 650

Hinge guide

02 25 x 90

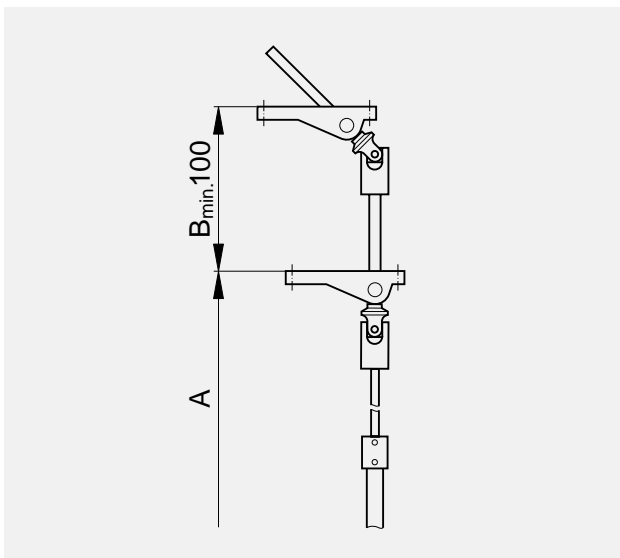


A
min. 650

Hinge guide

06 KSB 35 x 75

07 KSC 35 x 44 / 44

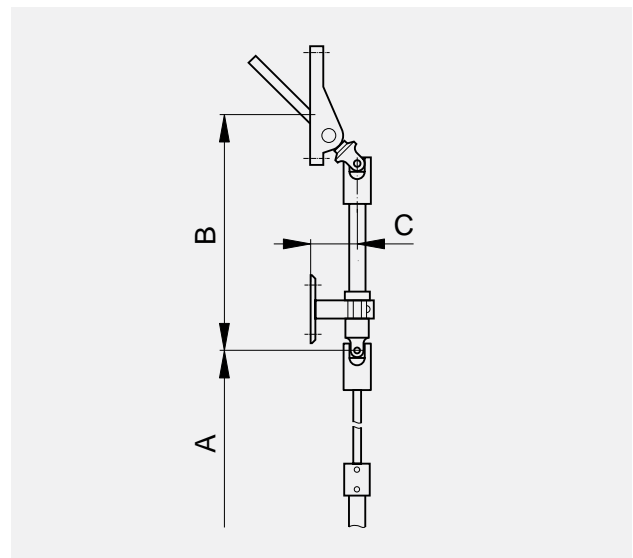


A
min. 650

B
according to order

Hinge guide

19 25 x 90



A
min. 650

B, C
according to order

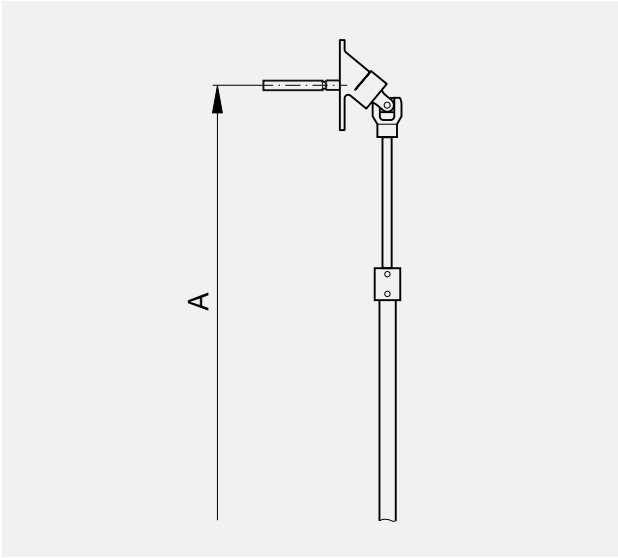
Hinge guide

with single rod guide

24 25 x 90

Extendable in length

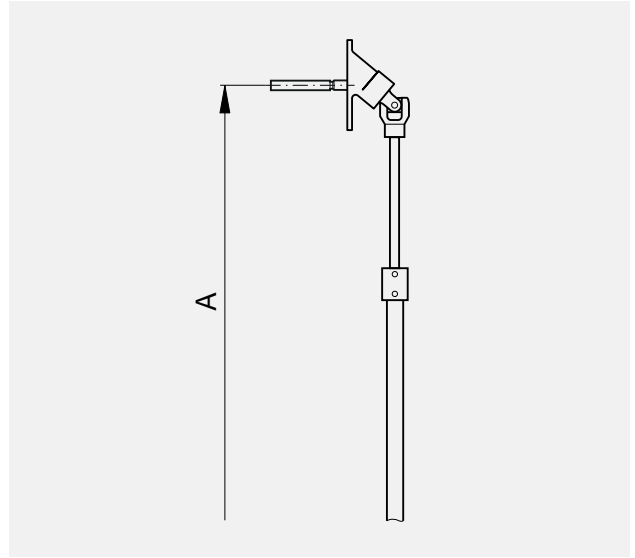
8 mm



A
min. 600

Hinge guide 90°

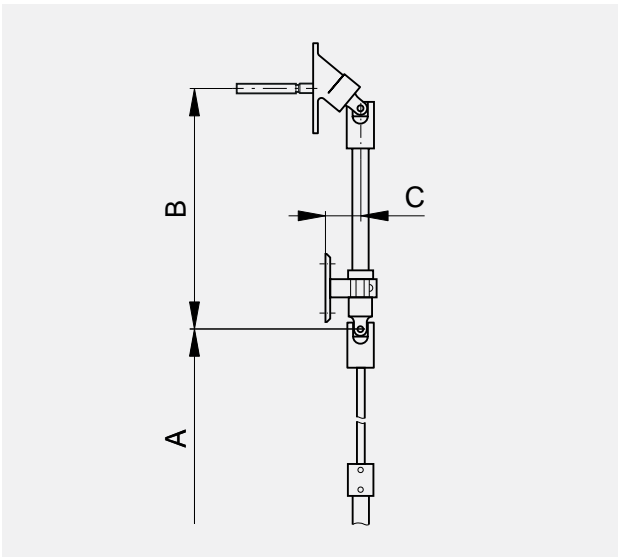
32 22 x 75
KS base plate 60 x 100



A
min. 550

Hinge guide 90°

38 22 x 75

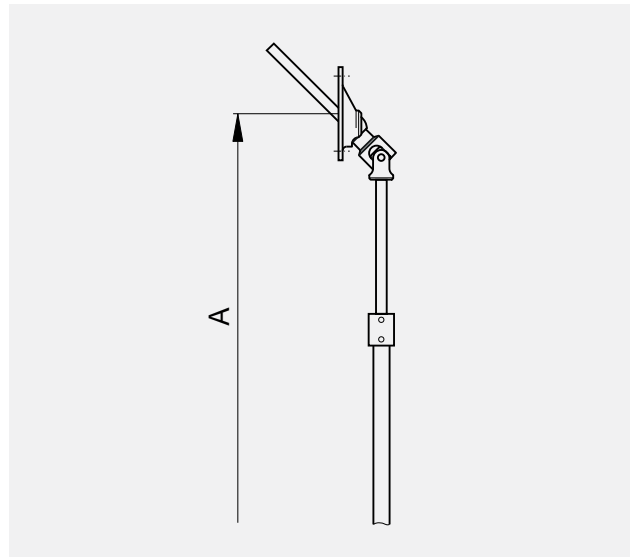


A
min. 550

B, C
according to order

Hinge guide 90°
with single rod guide

68 22 x 75



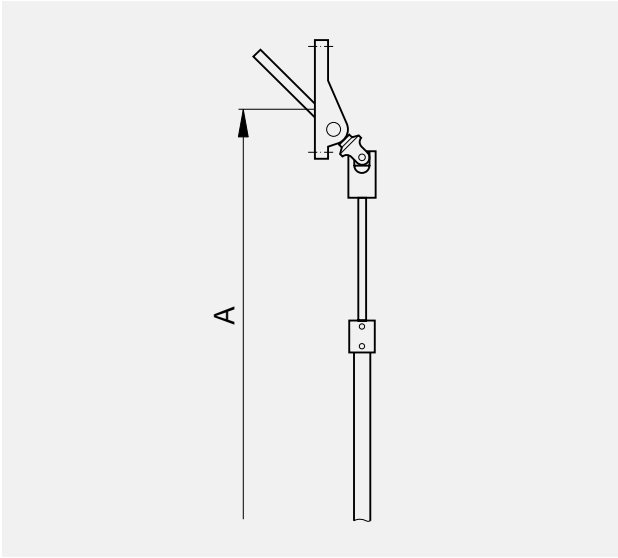
A
min. 650

Hinge guide

75 36 x 70

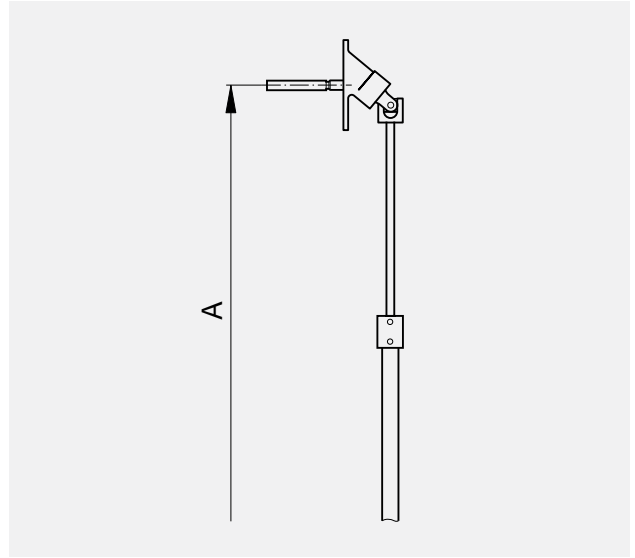
Extendable in length

6 mm



A
min. 600

Hinge guide
52 25 x 90

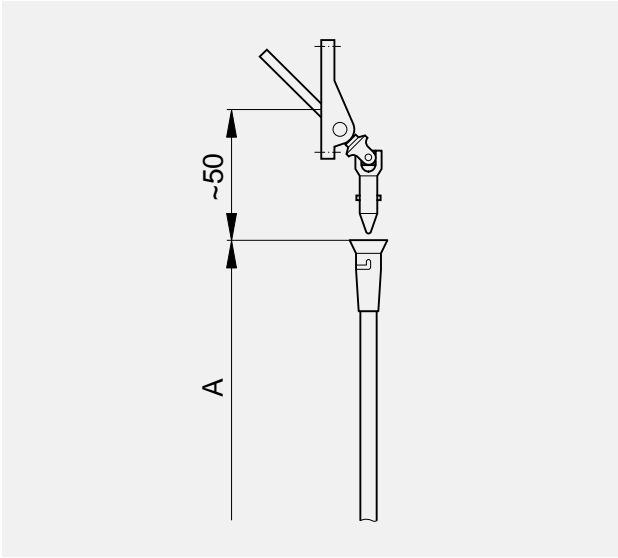


A
min. 550

Hinge guide 90°
56 22 x 75

Bayonet lock

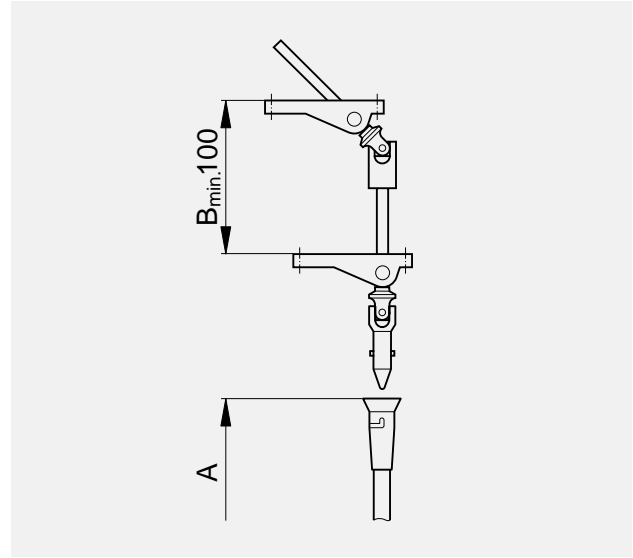
8 mm



A
min. 550

Hinge guide

03 25 x 90

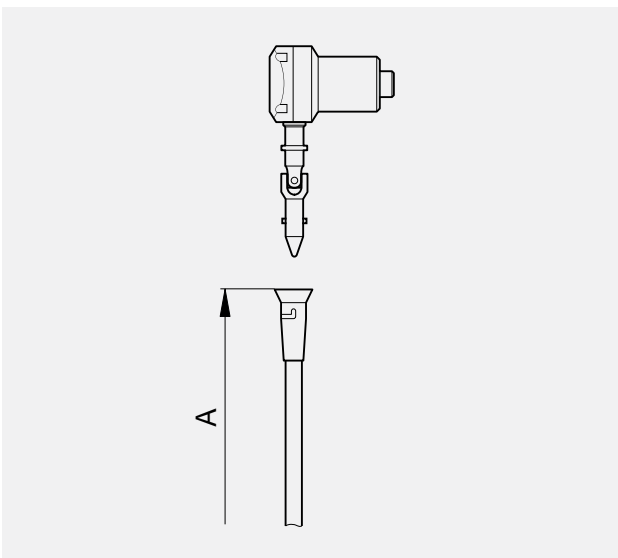


A
min. 550

B, C
according to order

Hinge guide

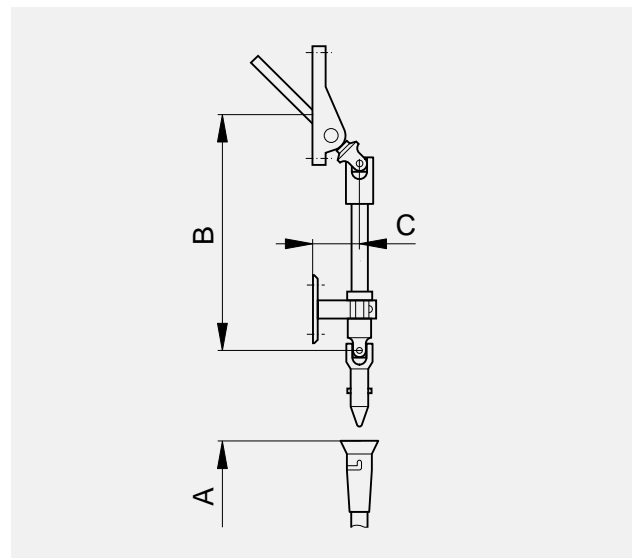
20 25 x 90



A
min. 550

Articulated crank
directly on gearbox*

22 25 x 90



A
min. 550

B, C
according to order

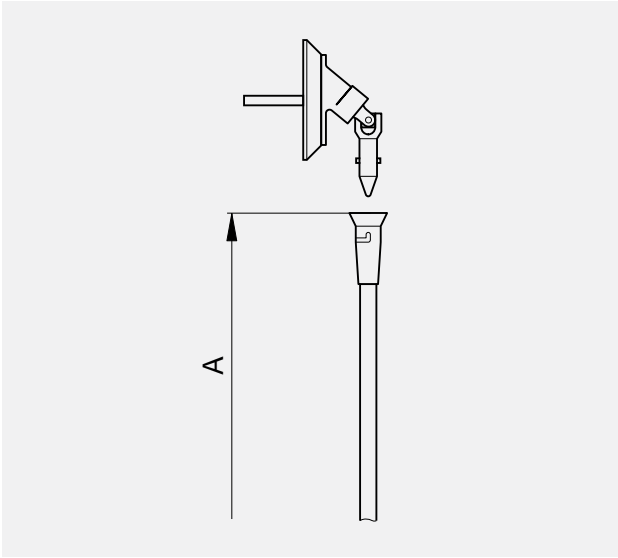
Hinge guide
with single rod guide

25 25 x 90

* Gearbox is not included with crank delivery.

Bayonet lock

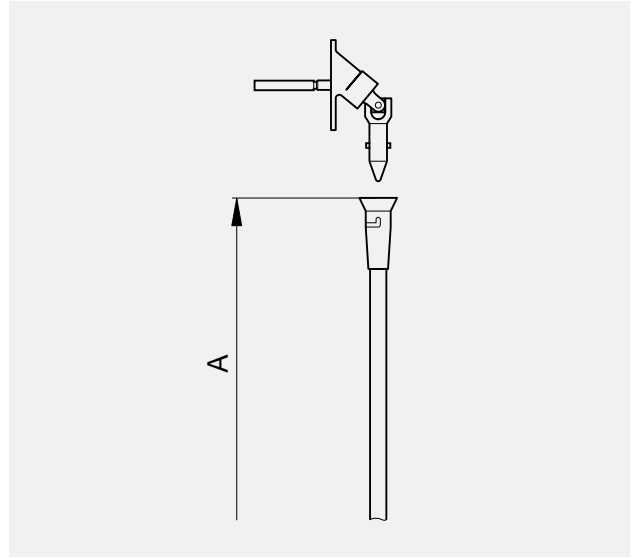
8 mm



A
min. 550

Hinge guide 90°

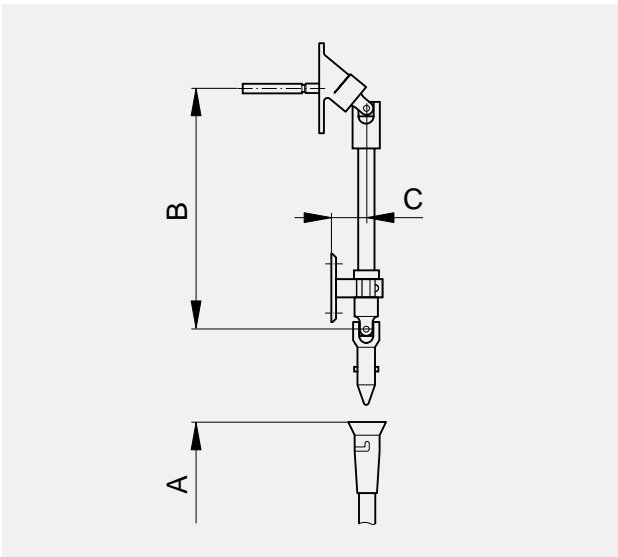
33 22 x 75
KS base plate 60 x 100



A
min. 550

Hinge guide 90°

39 22 x 75



A
min. 550

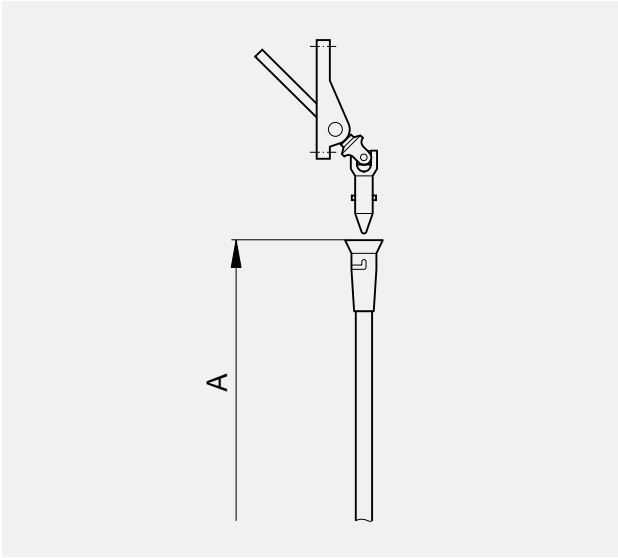
B, C
according to order

Hinge guide 90°
with single rod guide

69 22 x 75

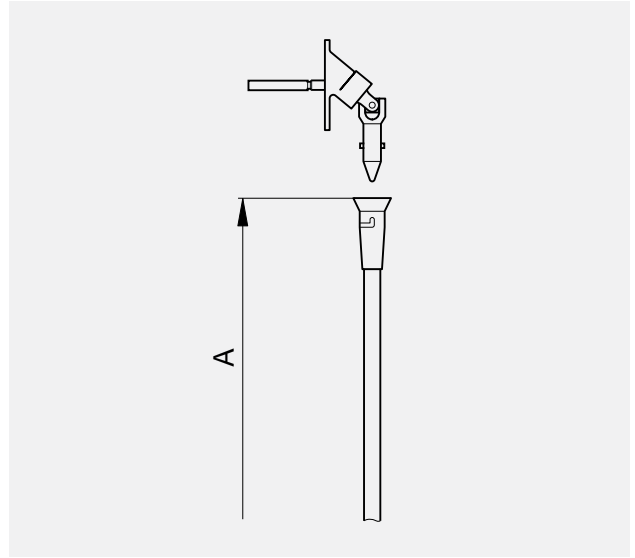
Bayonet lock

6 mm



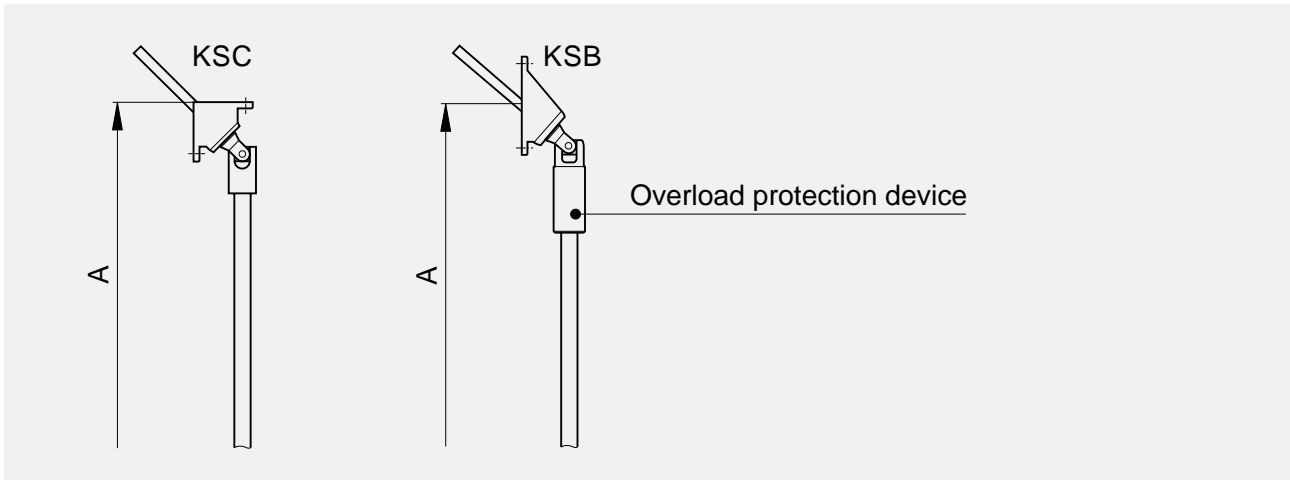
A
min. 550

Hinge guide
53 25 x 90



A
min. 550

Hinge guide 90°
57 22 x 75



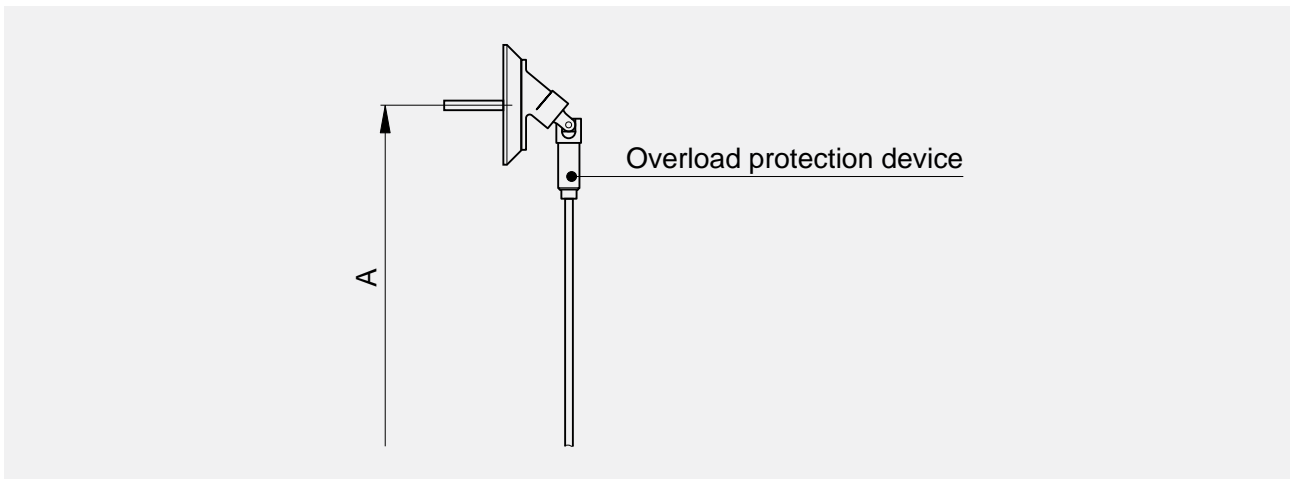
A

min. 600

Hinge guide



08	KSB 35x75	R	L
09	KSB 35x75	L	R
10	KSC 35x44/44	R	L
11	KSC 35x44/44	L	R



A

min. 550

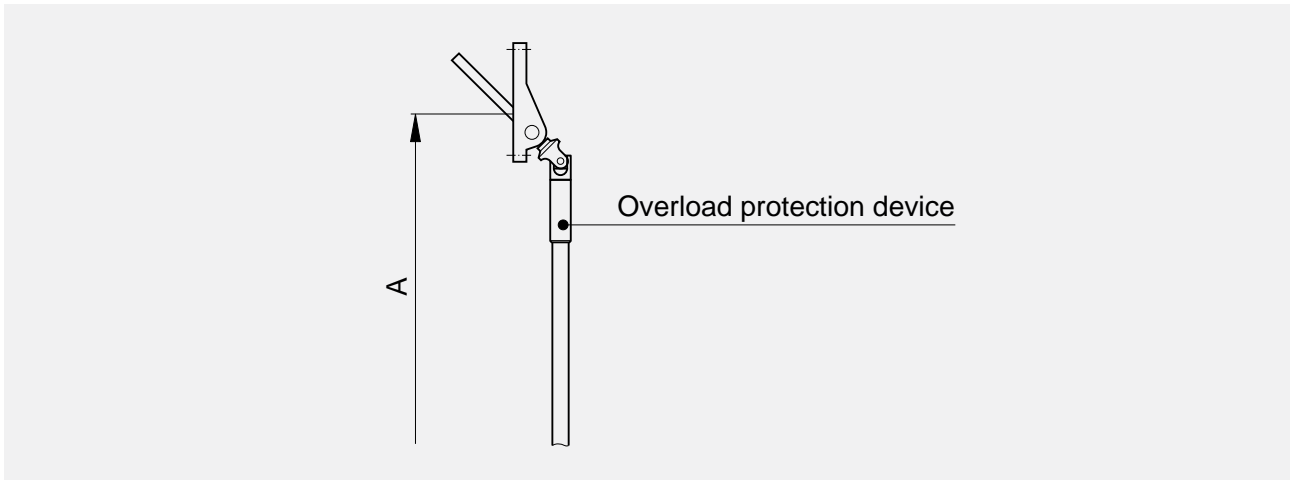
Hinge guide 90°



26	22x75	R	L
27	22x75	L	R
	KS base plate 60x100		



Rolpac® III – Standard

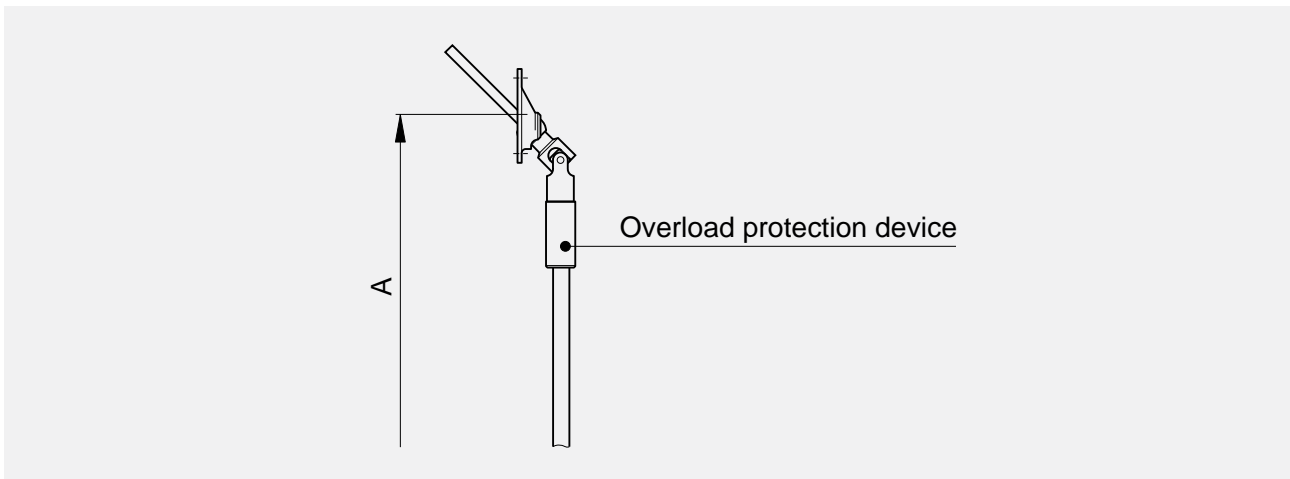
8 mm



A



min. 600

	Hinge guide			Surface max. [m ²]
40	25x90	R	L	> 4
41	25x90	R	L	< 4
42	25x90	L	R	> 4
43	25x90	L	R	< 4



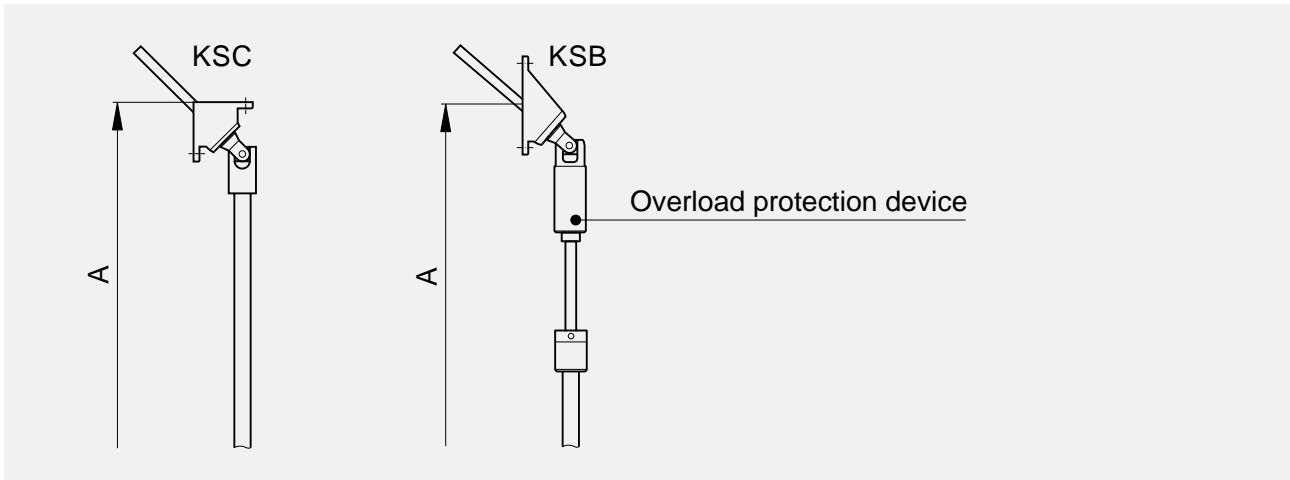
A

min. 550

	Hinge guide		
76	36x70	R	L
77	36x70	L	R

Rolpac® III – Extendable in length

8 mm



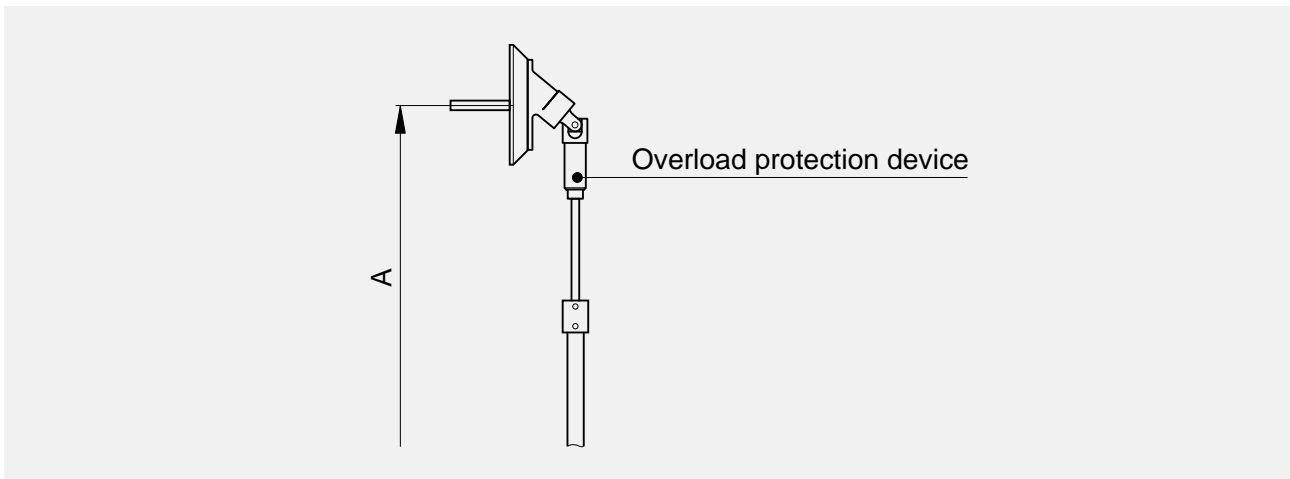
A

min. 700

Hinge guide



12	KSB 35x75	R	L
13	KSB 35x75	L	R
14	KSC 35x44/44	R	L
15	KSC 35x44/44	L	R



A

min. 600

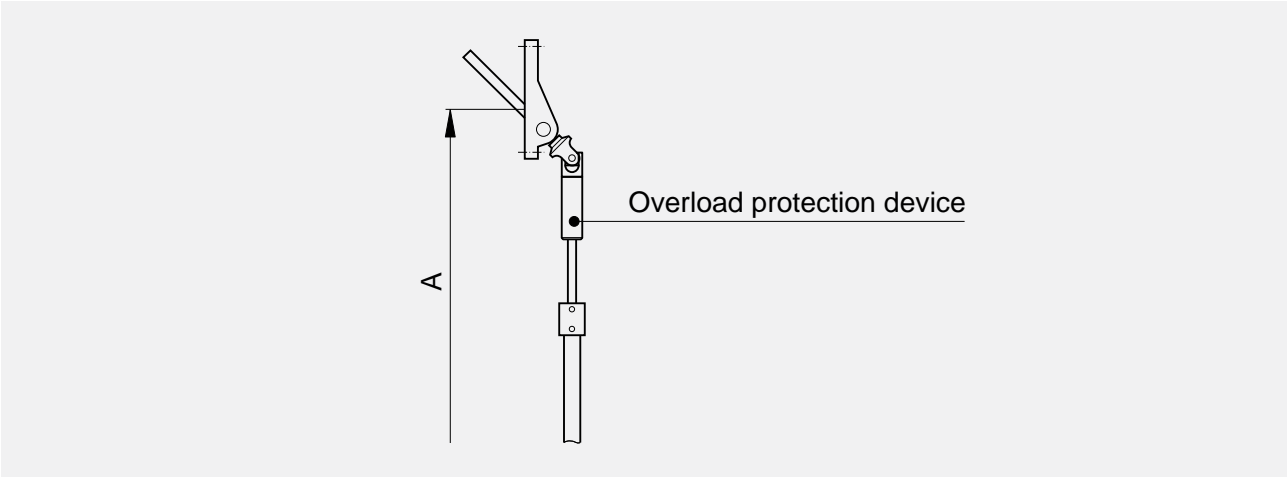
Hinge guide 90°



28	22x75	R	L
29	22x75	L	R
	KS base plate 60x100		



Rolpac® III – Extendable in length

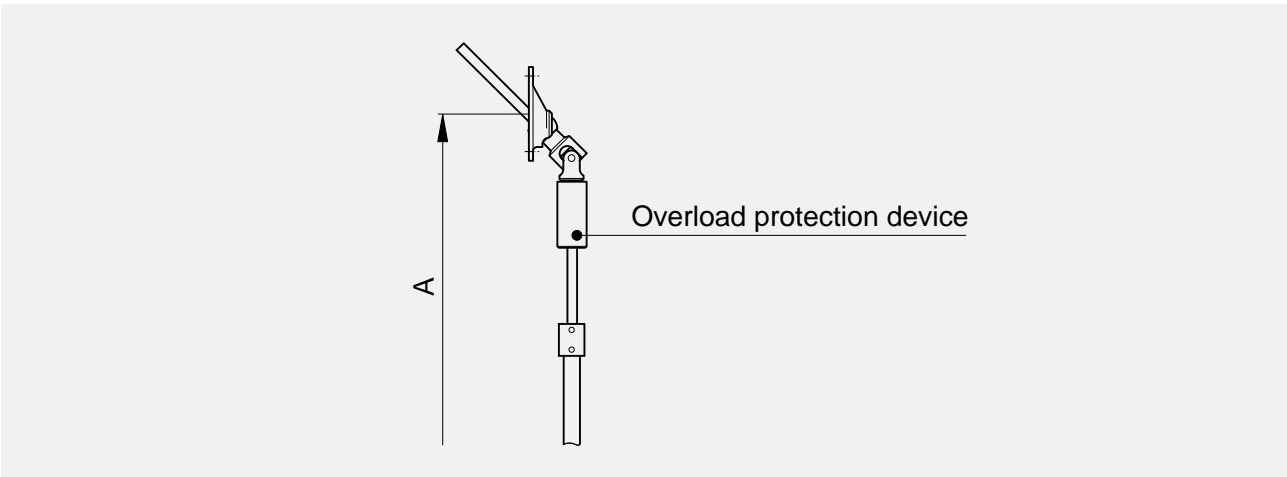
8 mm



A



min. 700

	Hinge guide			Surface max. [m ²]
44	25x90	R	L	> 4
45	25x90	R	L	< 4
46	25x90	L	R	> 4
47	25x90	L	R	< 4



A

min. 650

	Hinge guide		
78	36x70	R	L
79	36x70	L	R

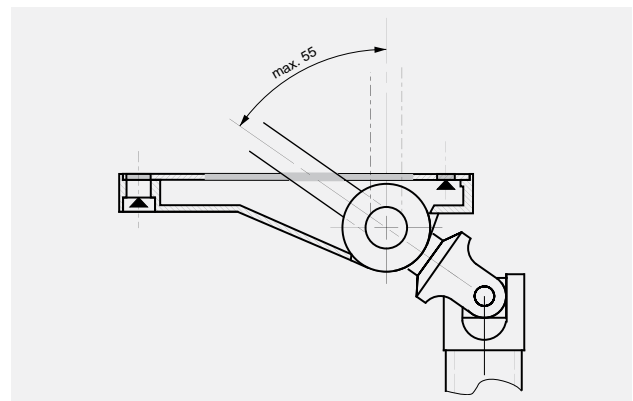
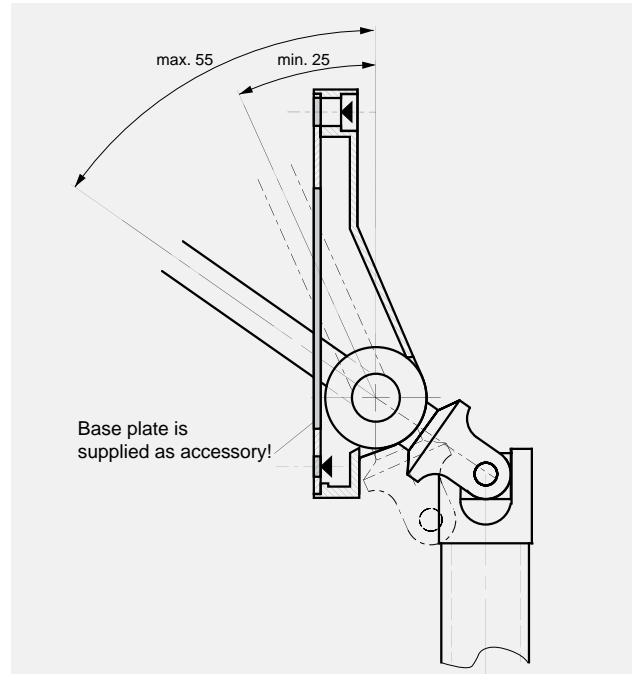
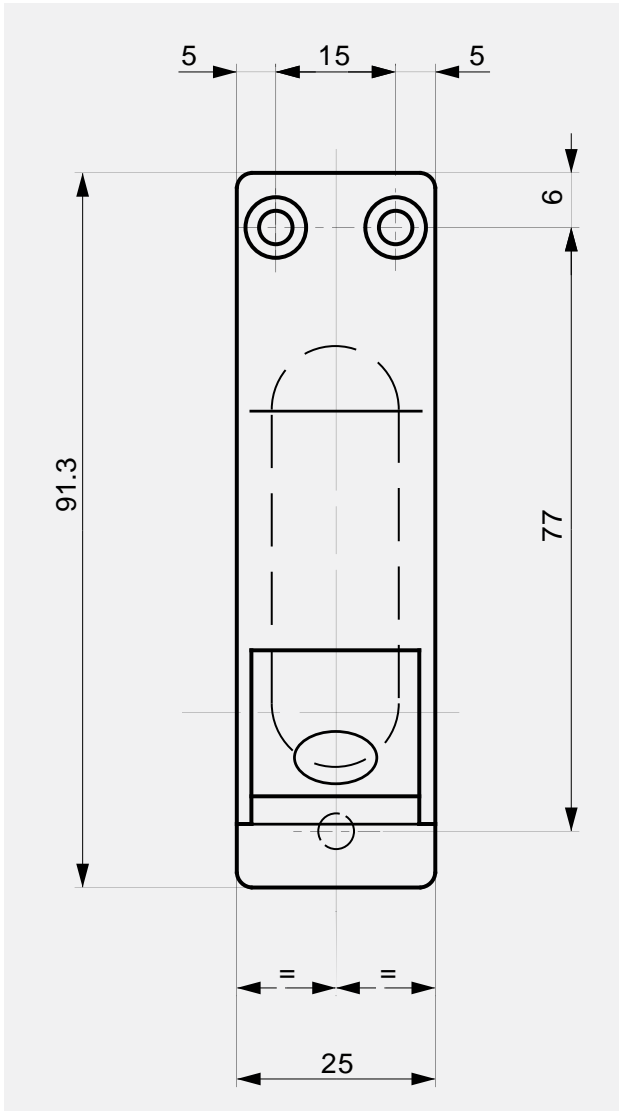
Hinge guides

HINGE GUIDES	460
COVER PLATE FOR HINGE GUIDE 25x90	467
BASE PLATE FOR HINGE GUIDE	468

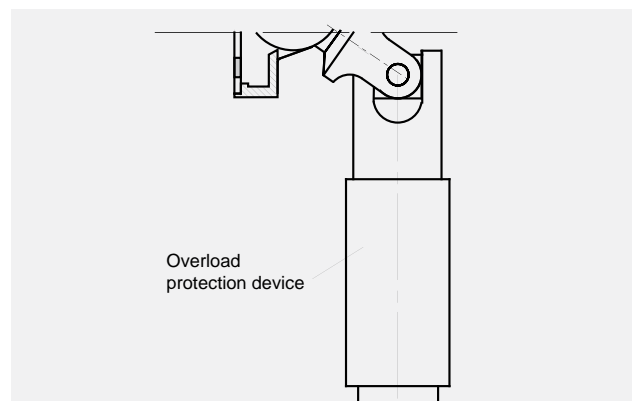
HINGE GUIDE 25x90

Colors: gray/brown/white

Articulated cranks

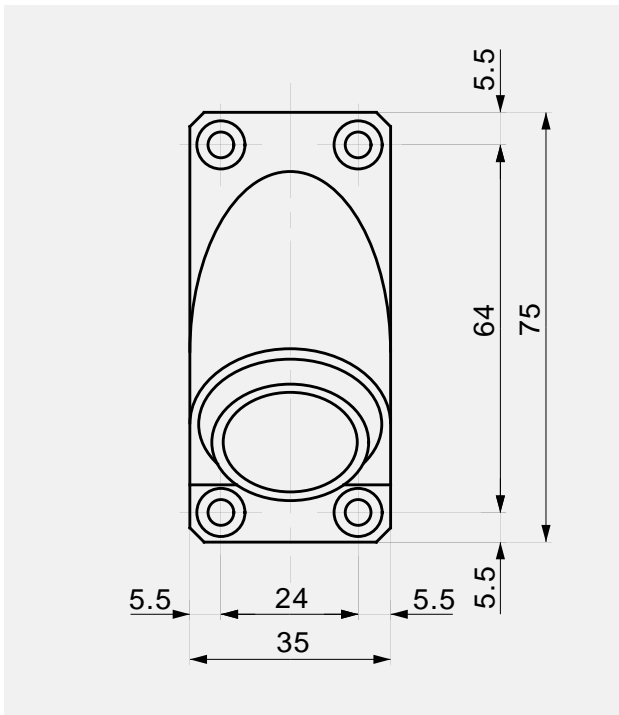


Rolpac® III

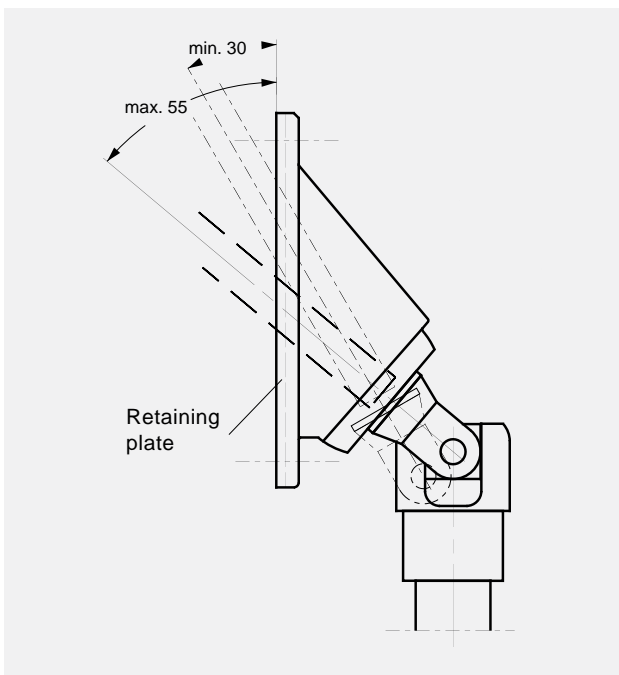
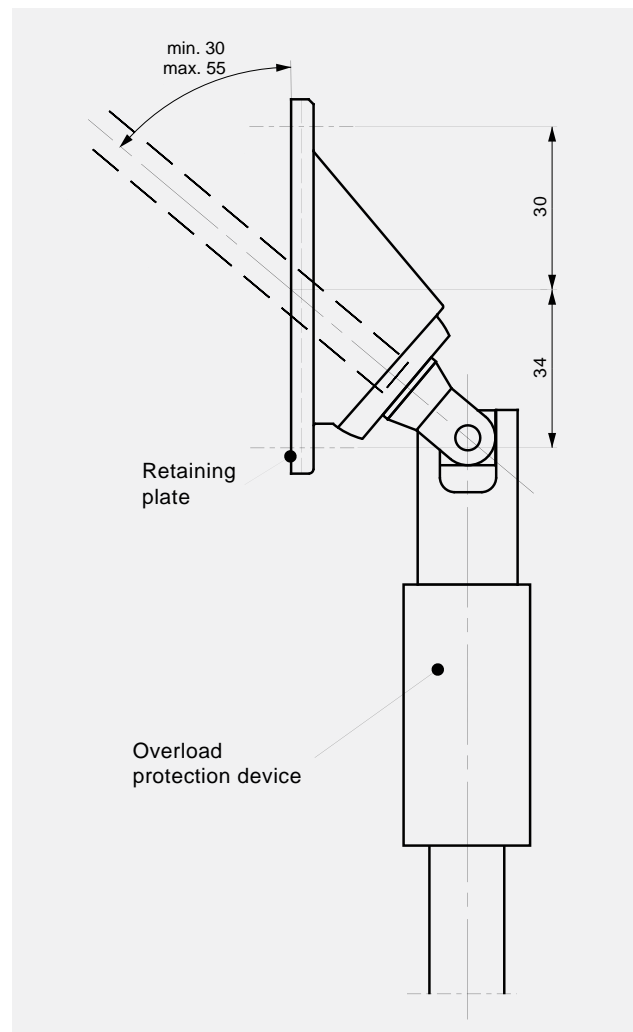


HINGE GUIDE KSB 35 x 75

- Hinge guide plate
- Retaining plate
- Hinge ball halves are supplied as accessories.



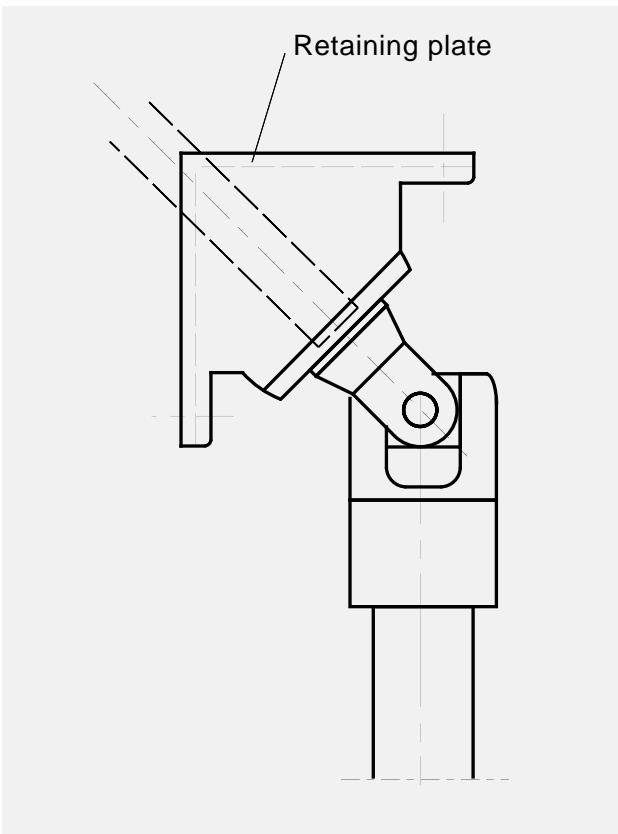
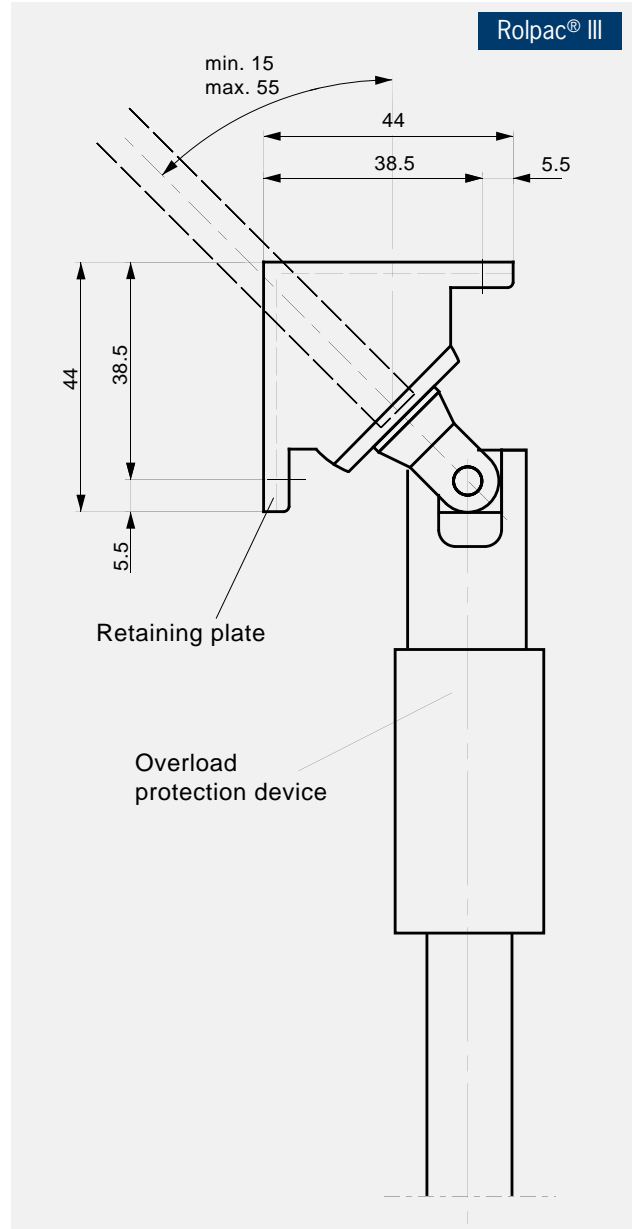
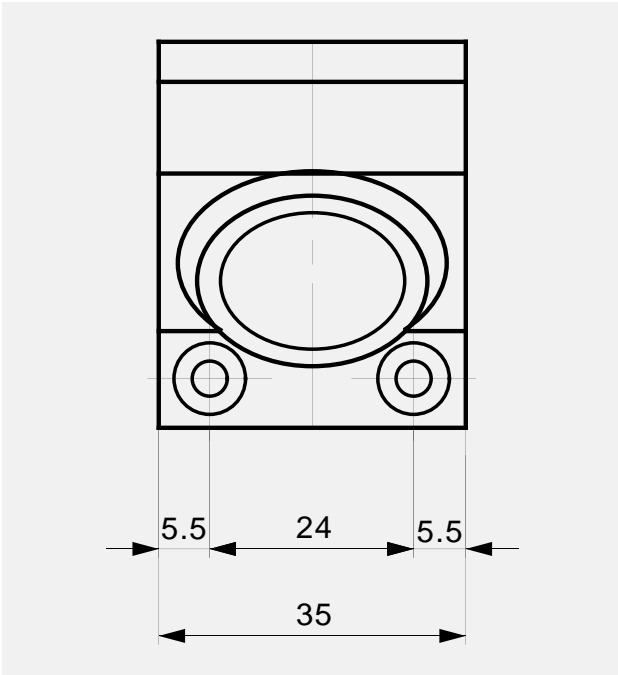
Rolpac® III



HINGE GUIDE KSC 35x44/44

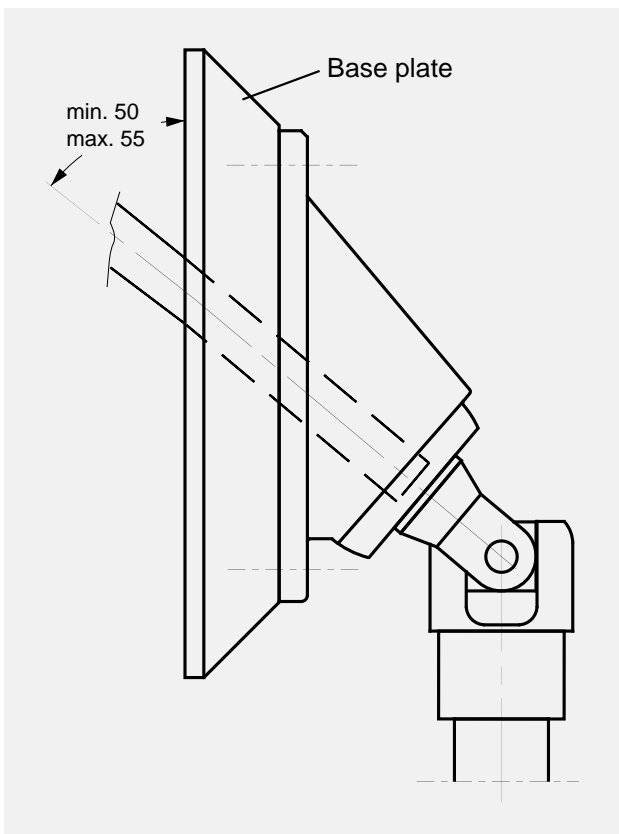
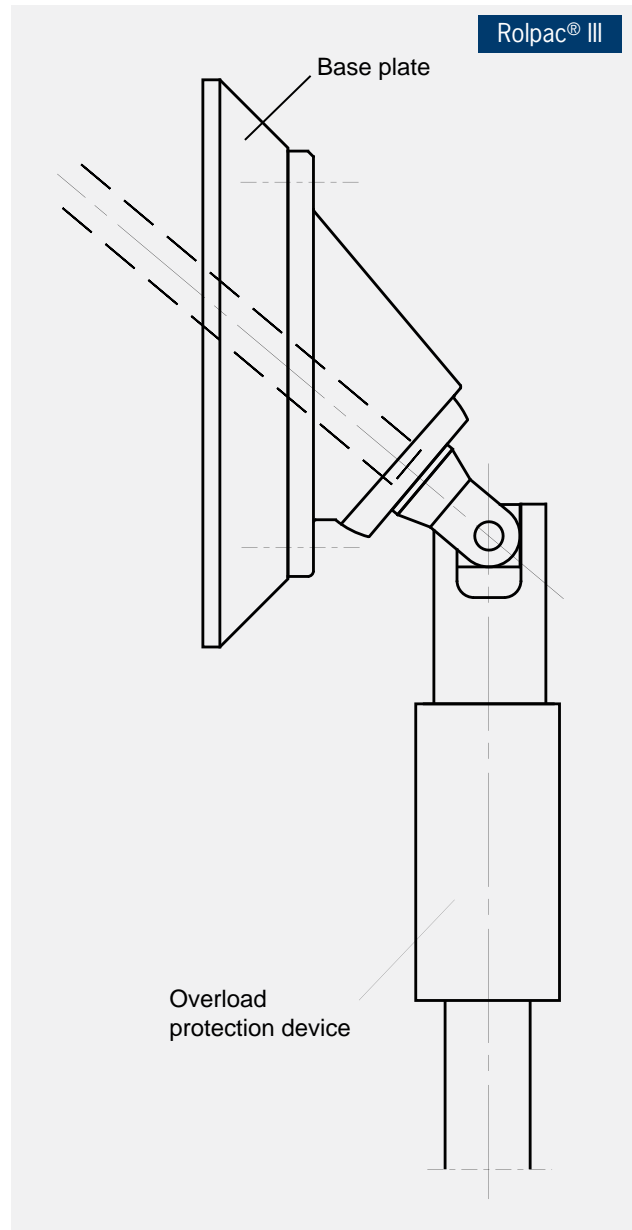
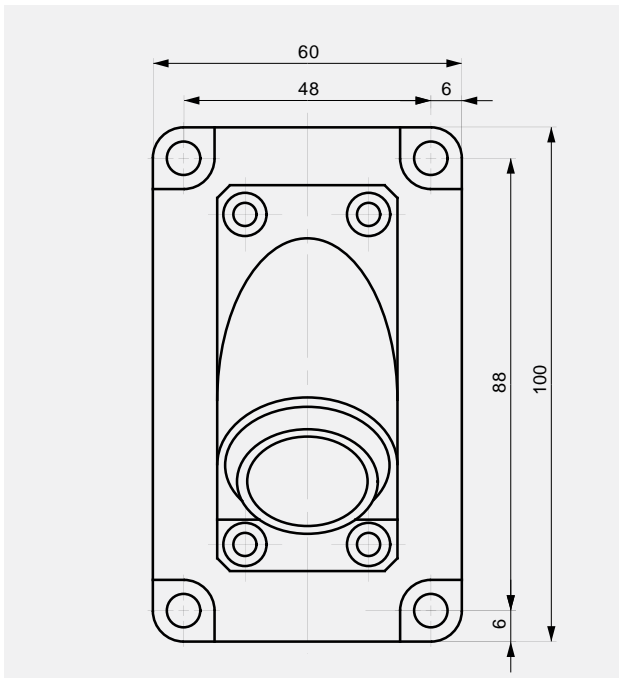
- Hinge guide plate, gray
- Retaining plate
- Hinge ball halves are supplied as accessories.

Articulated cranks



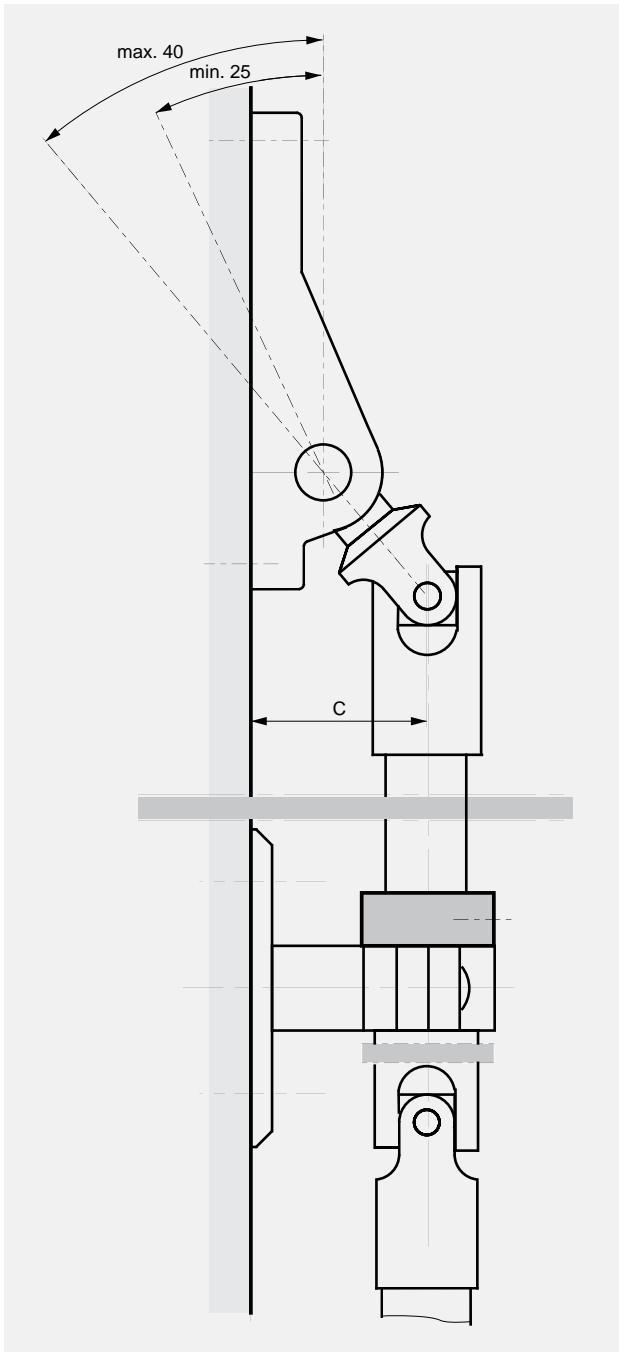
HINGE GUIDE KSB 35 x 75 WITH KS BASE PLATE 60 x 100

The base plate must be ordered separately.



Articulated cranks

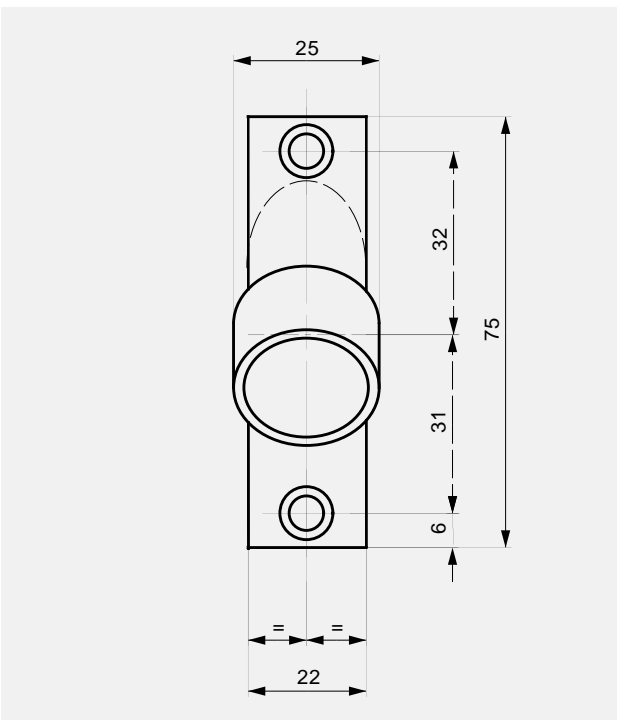
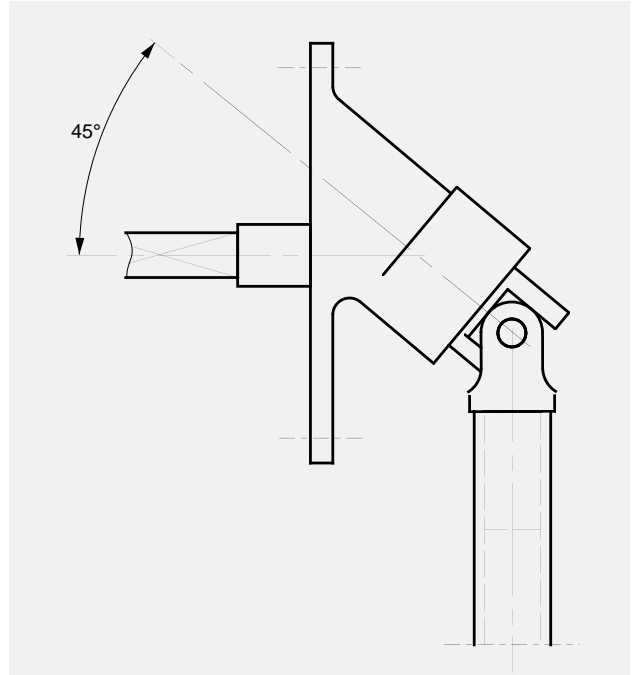
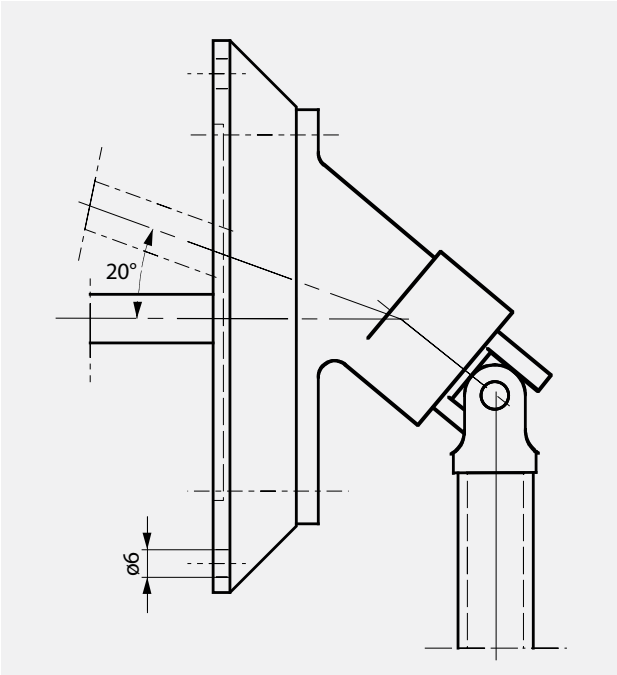
ARTICULATED CRANK 25 x 90 WITH SINGLE ROD GUIDE



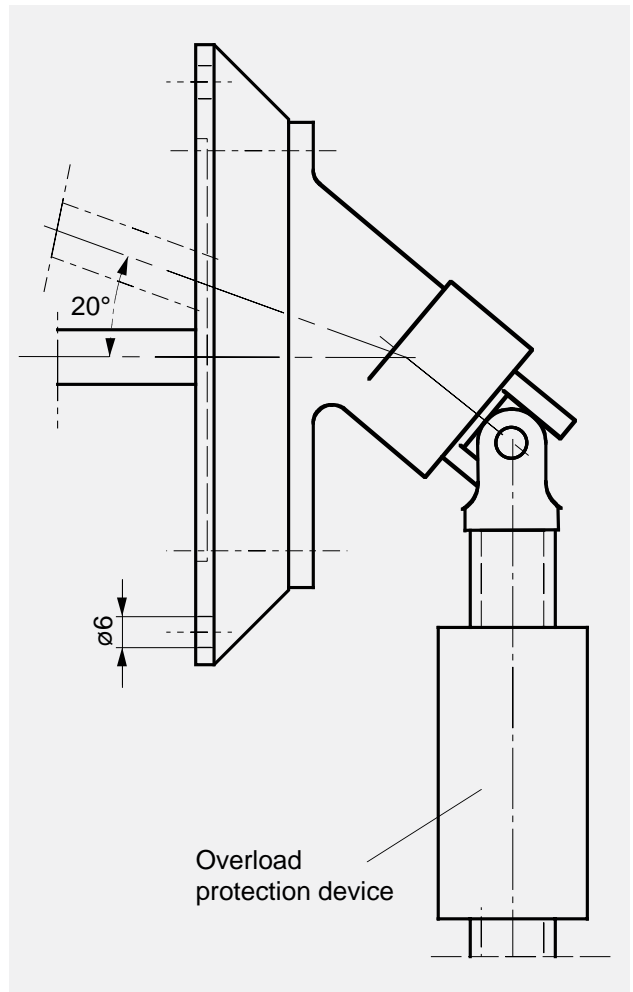
C	at angle
33	40°
31	35°
29	30°
26	25°

Articulated cranks

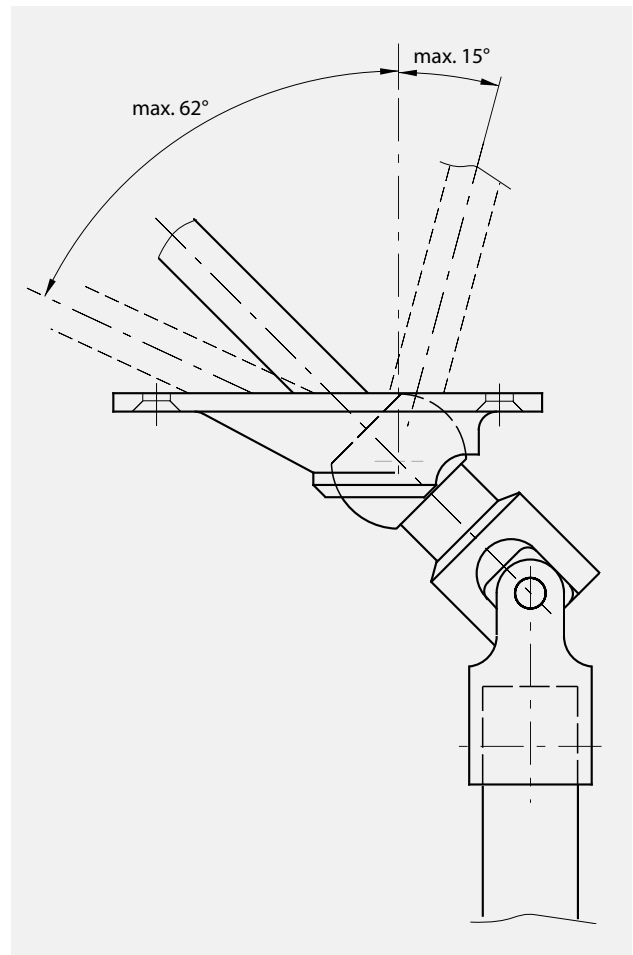
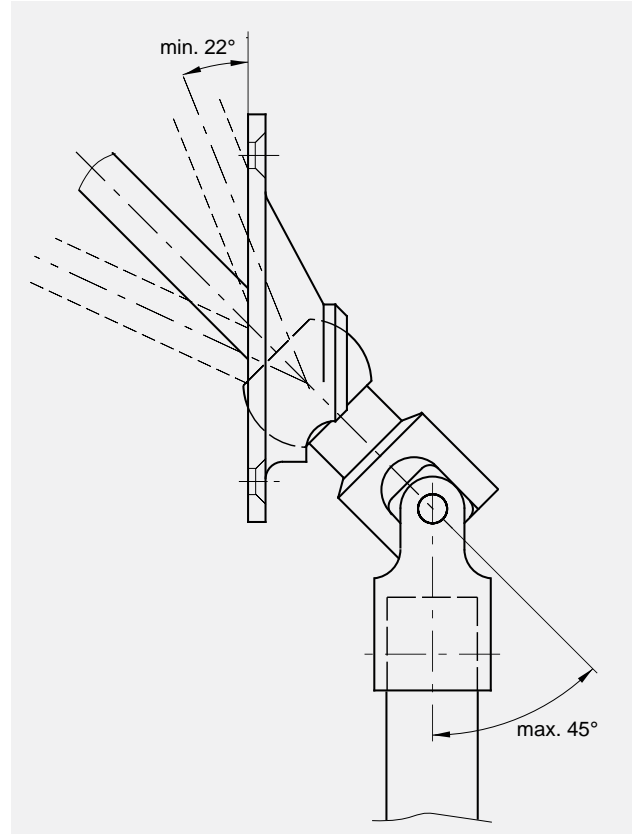
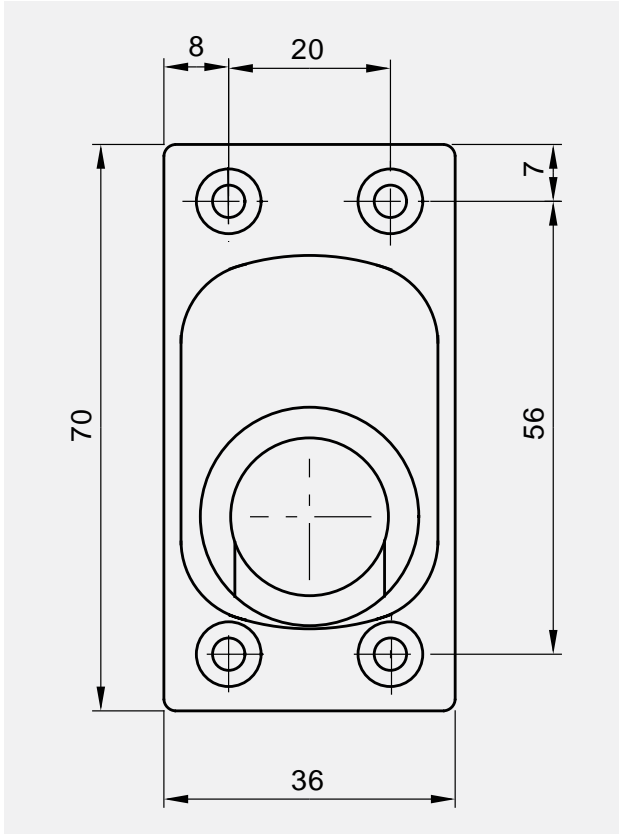
HINGE GUIDE 90°, 22x75



Rolpac® III



HINGE GUIDE 36x70

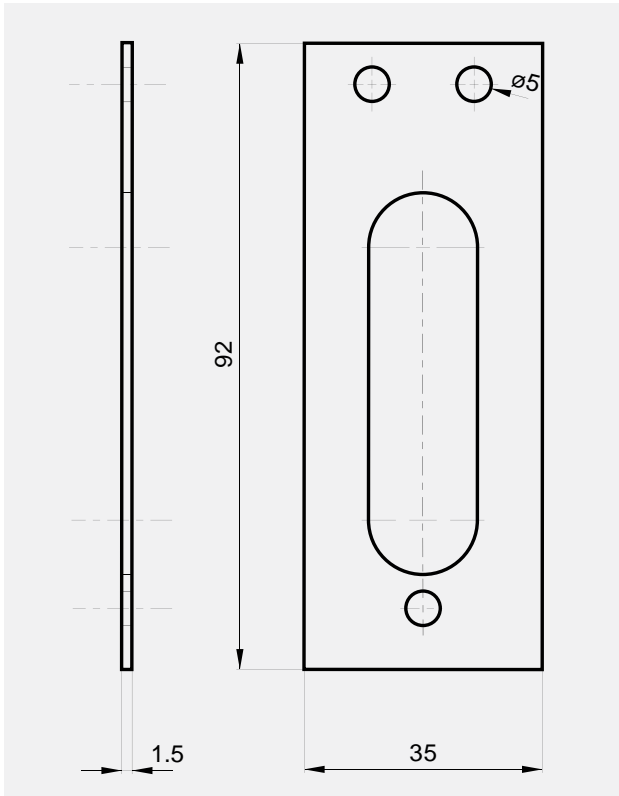


Articulated cranks

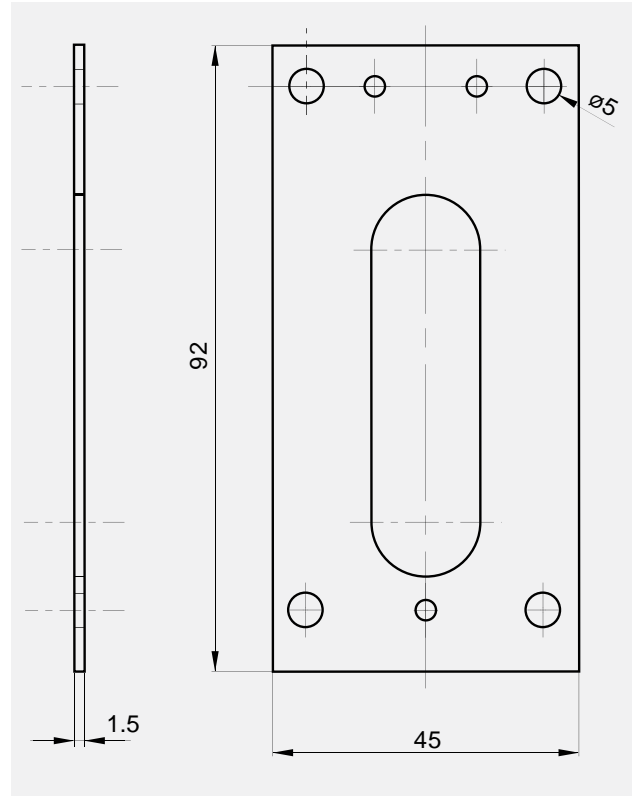
COVER PLATE FOR HINGE GUIDE 25 x 90

Baked enamel finish: colors gray, brown or white

92x35



92x45



BASE PLATE FOR HINGE GUIDE

Transparently anodized for hinge guide

25 x 90

KSB 35 x 75

22 x 75 / 90°

Articulated cranks

