

Covers



Covers

DEFINITIONS OF DIMENSIONS	424
LIMIT DIMENSIONS	424
SHEET THICKNESSES	426
COMPLETE CLIP	426
MITER JOINTS (PRINCIPLE)	427
OPEN HEADER	428
FACADE	433

DEFINITIONS OF DIMENSIONS

HF: Height of front panel

LF: Length of front panel

BU: Width of soffit

LU: Length of soffit

LF1G/LU1G: with miter joint on left or right

LF2G/LU2G: with miter joint on left and right

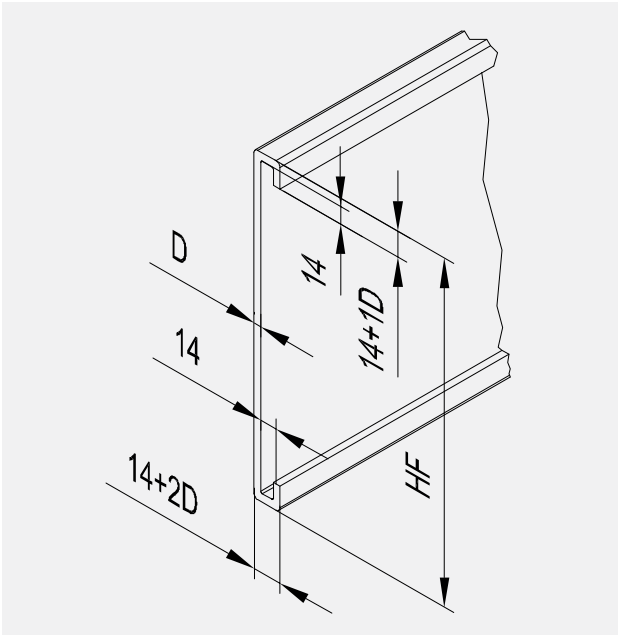
LIMIT DIMENSIONS

Type	Miter joint possible	Corner connection possible	HF min.	HF max.	LF min.	LF max. LF1G LF2G	BU min.	BU max.	LU min.	LU max. LU1G LU2G
1.1	•	•	160	500	200	4000				
1.3	•	•	165	500	200	4000				
1.4			160	400	200	4000				
1.5	•	•	50	200	200	3900				
1.6	•	•	100	500	200	4000				
1.7	•	•	160	500	200	4000	60	300	50	3700
2.1			50	400	100	4000				4000
3.1	•	•	160	500	100	3650	60	300	50	3700
4.1	•	•	160	500	100	3650	60	300	50	3700
5.1	•	•	160	500	200	3700				
5.2	•	•	160	500	100	3700				

Type	Miter joint possible	Corner connection possible	HF min.	HF max.	LF min.	LF max. LF1G LF2G	BU min.	BU max.	LU min.	LU max. LU1G LU2G
5.3	•		100	400	100	4000 3780 3560				
5.4	•		100	400	100	4000 3780 3560				
6.1	•	•	160	500	200	4000 4000 4000	60	300	50	4000 3700 3400
6.2	•	•	160	500	200	4000 4000	60	300	50	4000 3700 3400
7.1	•						60	300	50	4000 3700 3400
7.2	•						17	140	50	4000 3940 3880
7.3							17	140	50	1500 1450 1400
8.1	•	•	160	500	100	4000 3650 3300				
8.2	•	•	160	500	100	4000 3650 3300				
8.3	•		160	500	100	4000 3650 3300				
9.1	•		200	500	200	4000 3836 3672				
9.2	•		100	500	100	4000 3550 3100				
9.3			160	500	200	4000 4000				
9.4	•		200	400	100	4000 3836 3672				

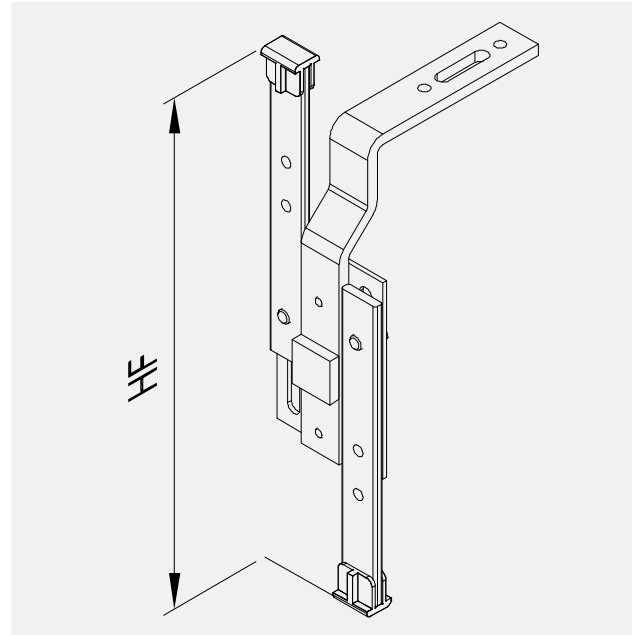
SHEET THICKNESSES

Folding for U-shaped front panels

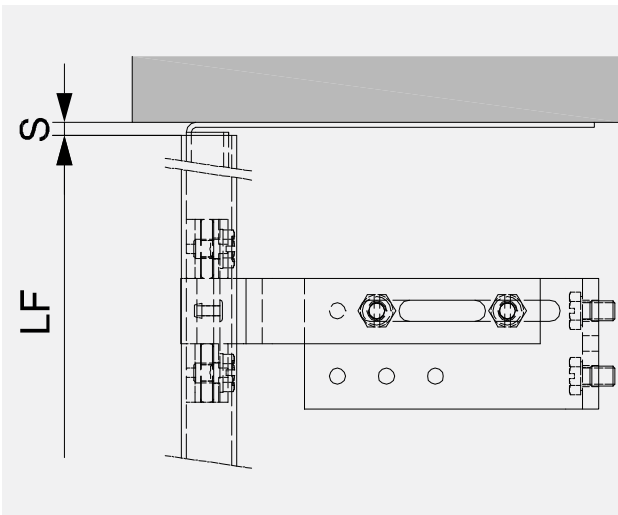


- D**
 1.5¹
 2.0²

COMPLETE CLIP



Reserve for closing panel



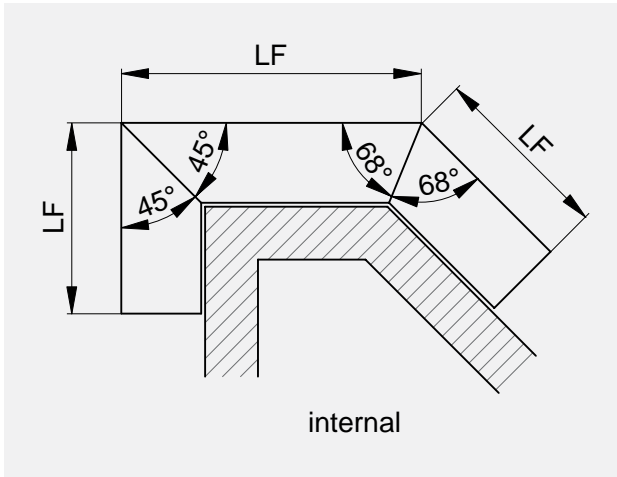
- S**
 2.0¹
 3.0²

¹ Standard (within limit dimensions)
² Outside limit dimensions

MITER JOINTS (PRINCIPLE)

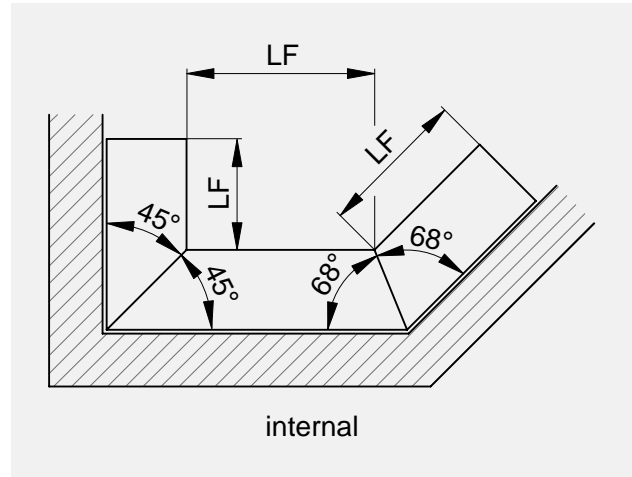
external

convex corner when viewed from inside
e.g. type 8.2



internal

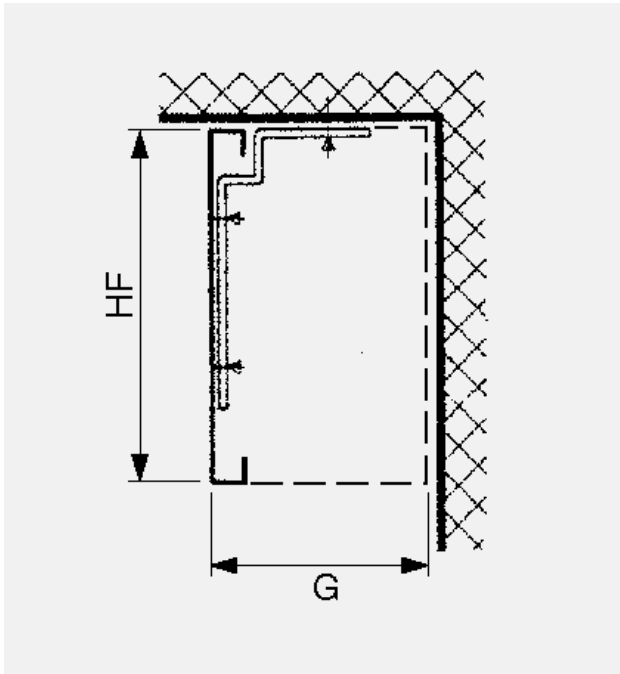
re-entrant corner when viewed from inside
e.g. type 8.2



OPEN HEADER

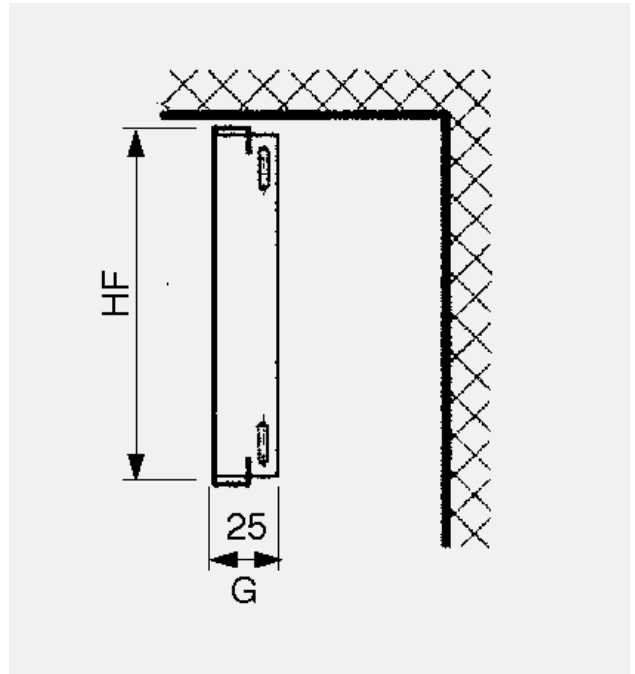
1.1

Straight cover, fastening at top or rear



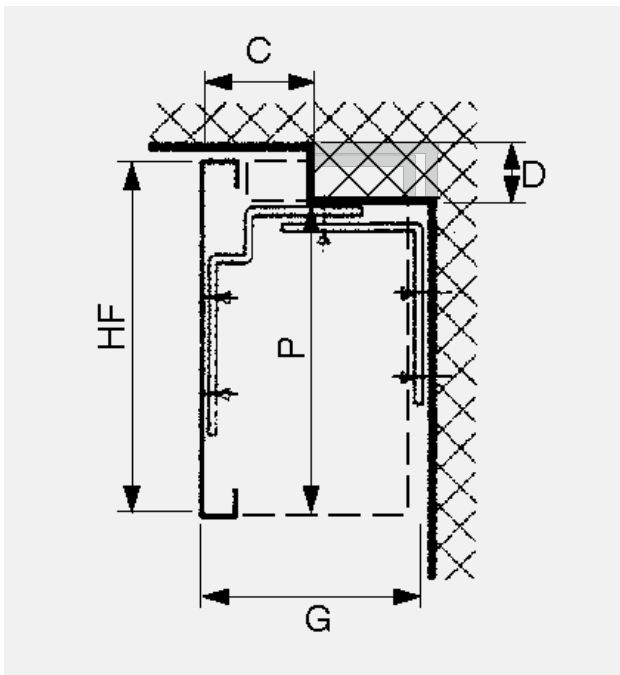
1.4

Straight cover, without clip, fastening only at side



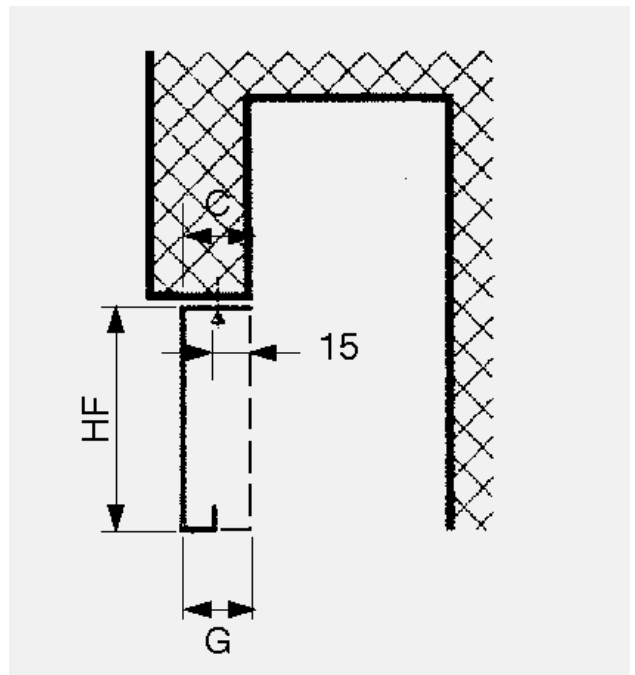
1.3

Straight cover, fastening at rear, blind package positioned deeper



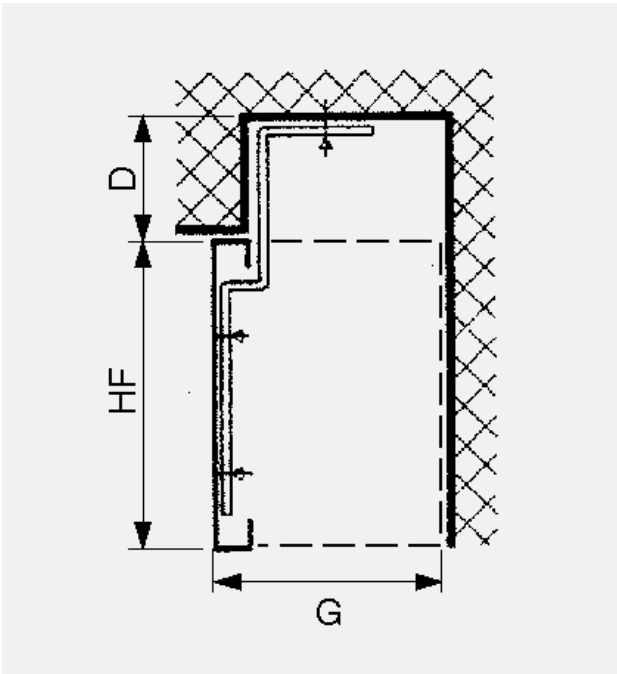
1.5

Header extension, without clip



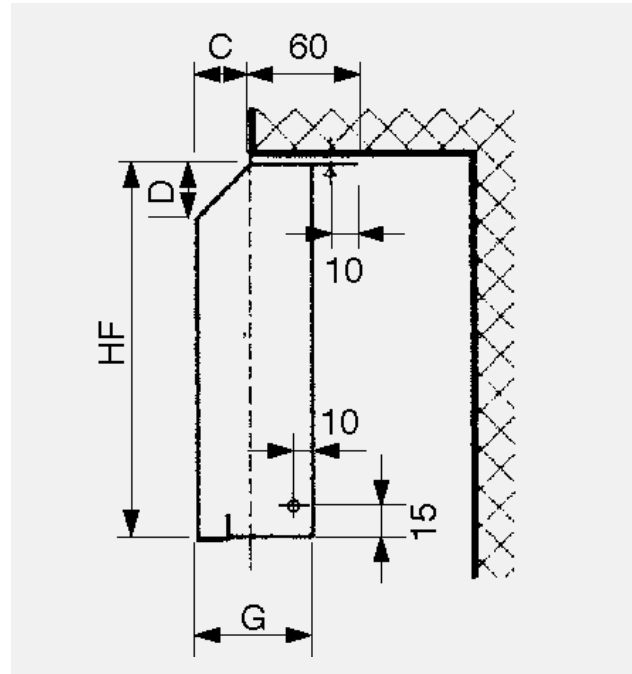
1.6

Straight cover, clip extended at top, fastening at top



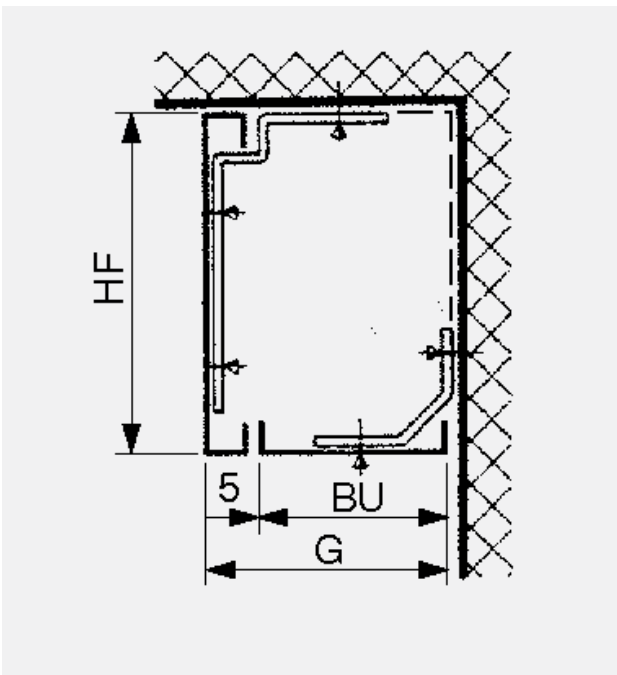
2.1

Protruding cover, without clip, fastening at top



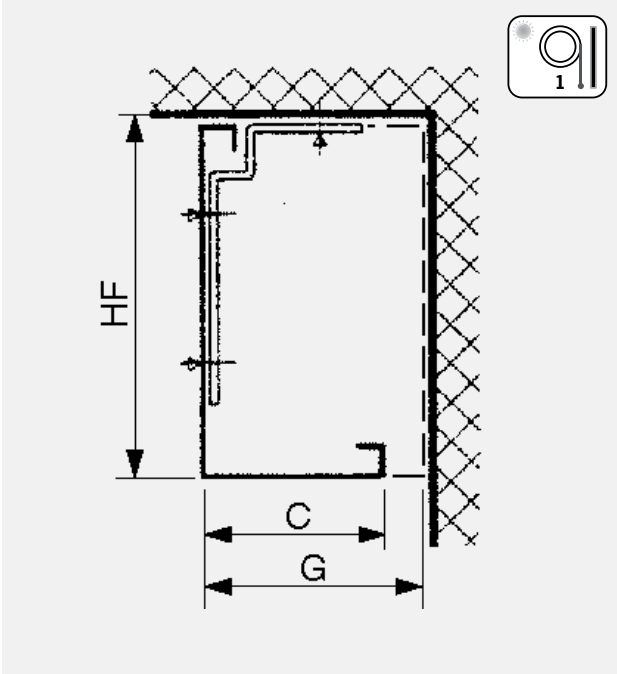
1.7

Straight cover with removable soffit, fastening at top or rear



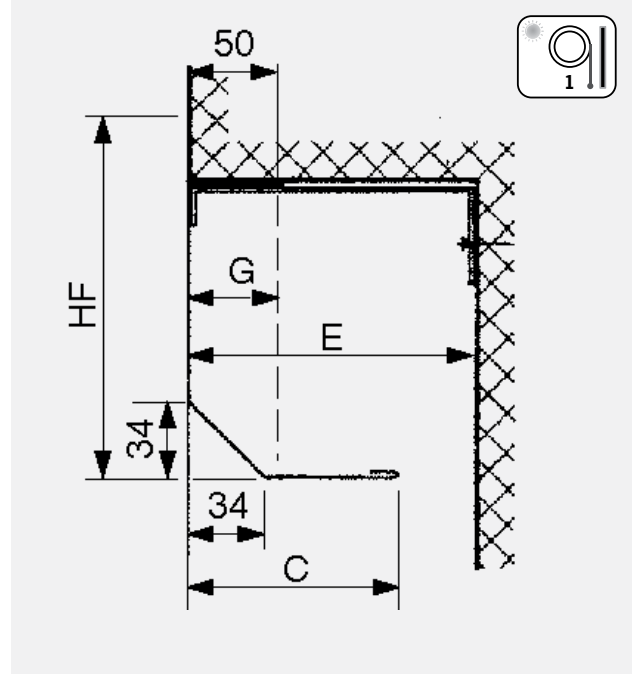
5.1

Cover with fixed soffit, fastening at top or rear



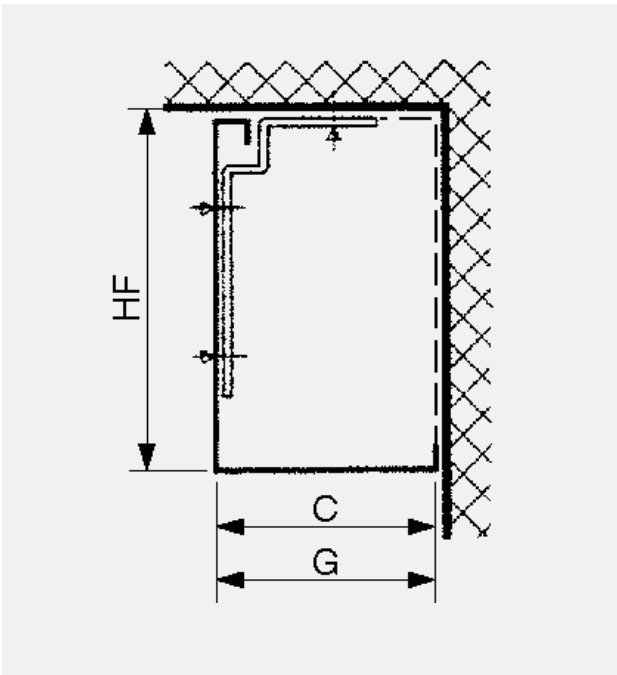
5.3

Cover 45° at bottom, broken with fixed soffit, fastening with cover clip



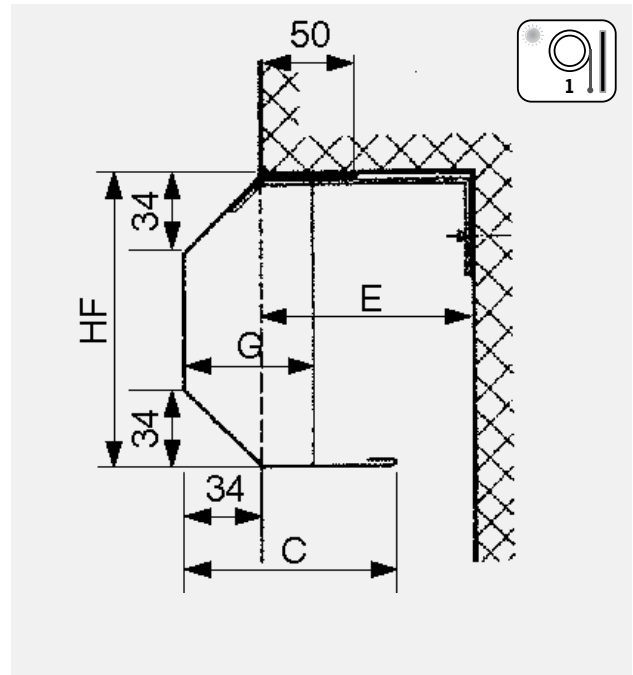
5.2

Cover with fixed soffit, closed completely, fastening at top or rear



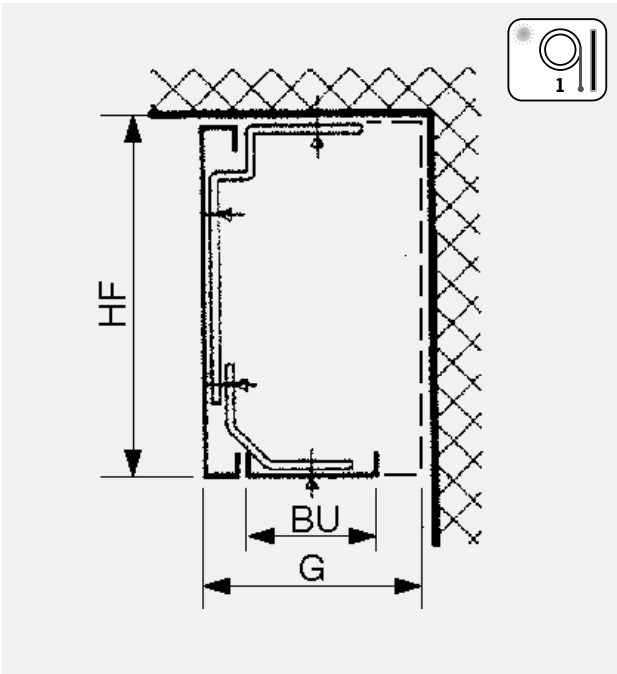
5.4

Cover 45° at top and bottom, broken with fixed soffit, fastening with cover clip



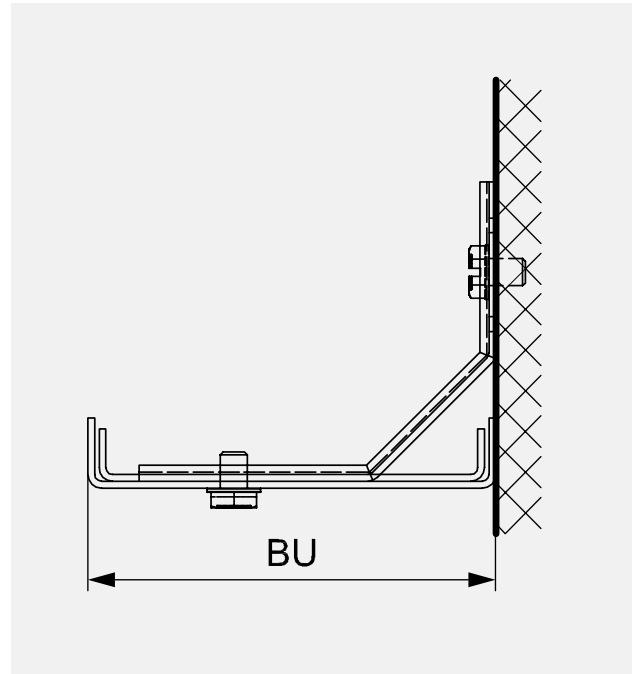
6.1

Cover with removable soffit, fastening at top or rear



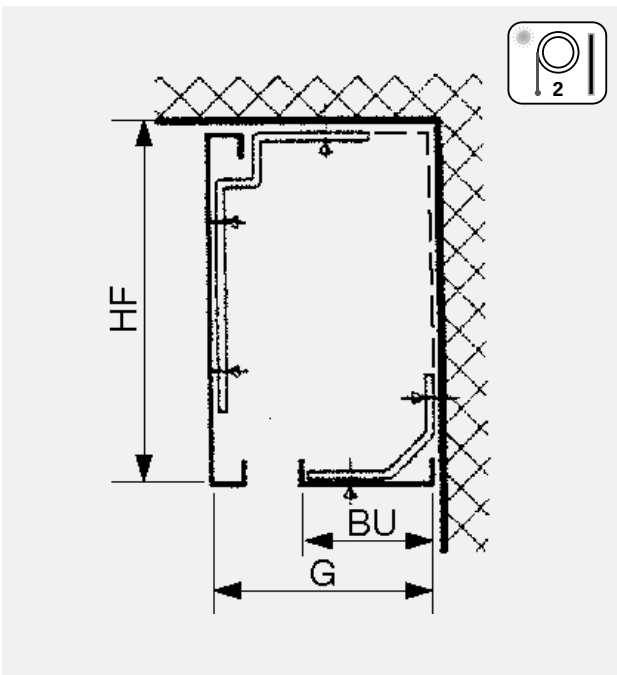
7.1

Soffit from 60 mm with clip, fastening at rear, no corner connection



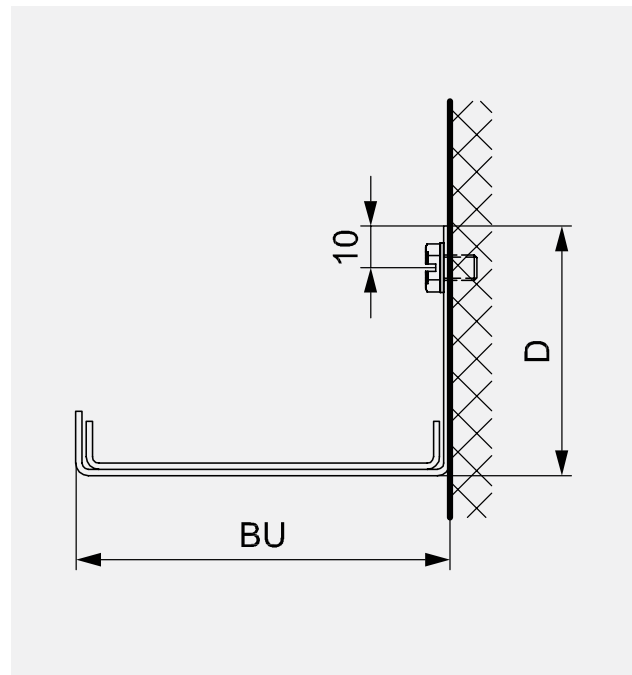
6.2

Cover with removable soffit, fastening at top or rear



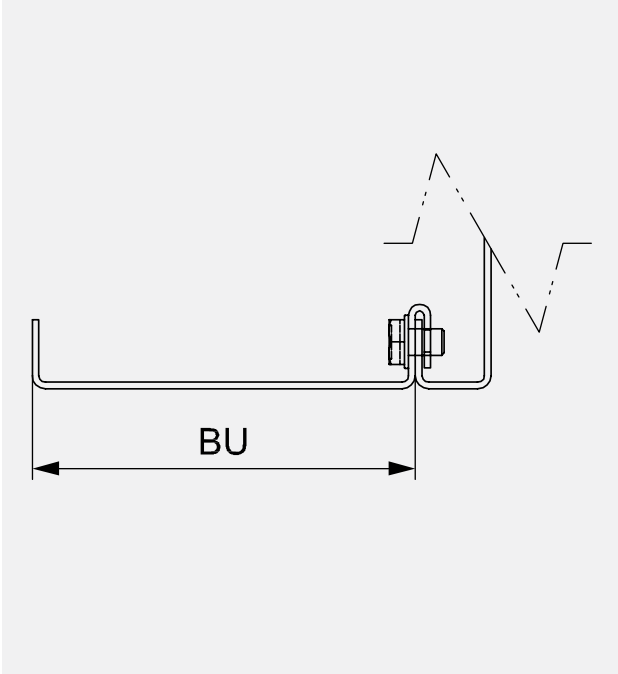
7.2

Soffit to 140 mm without clip, fastening at rear, no corner connections



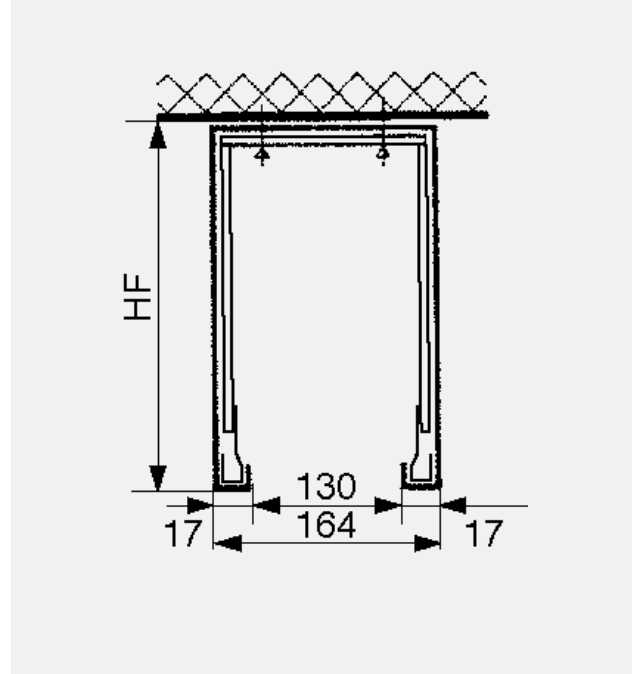
7.3

Soffit for hanging, without clip, no corner connections



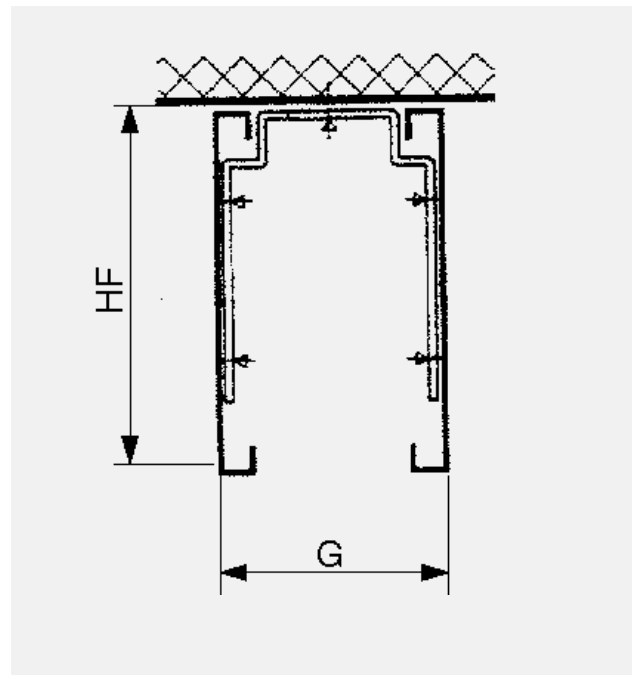
9.2

Cover below header, fastening at top



9.3

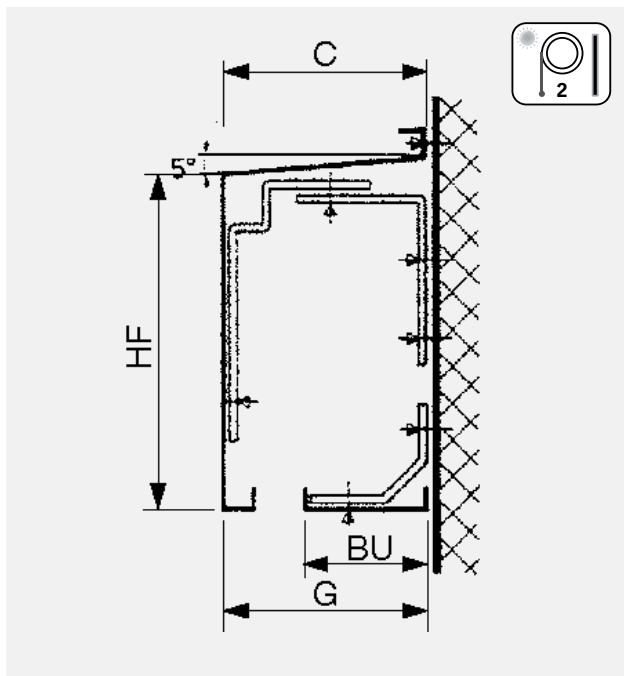
Cover inside and outside below header, fastening at top



FACADE

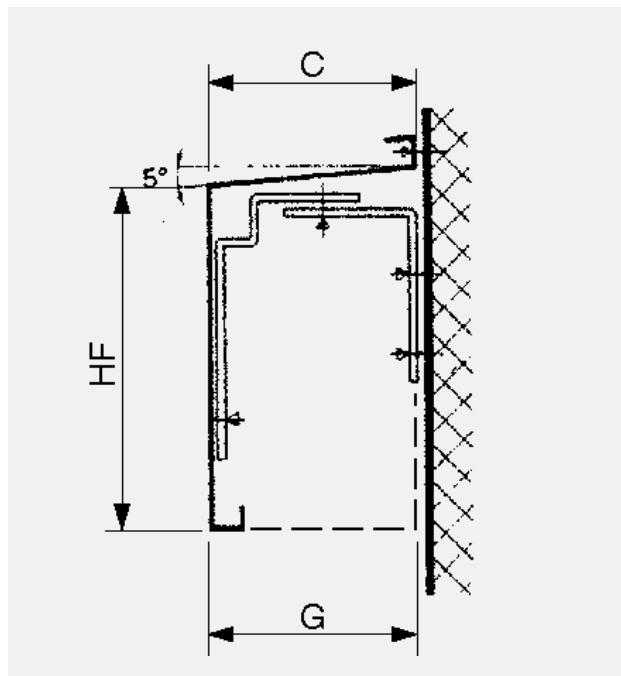
3.1

Porch cover with removable soffit, fastening at rear



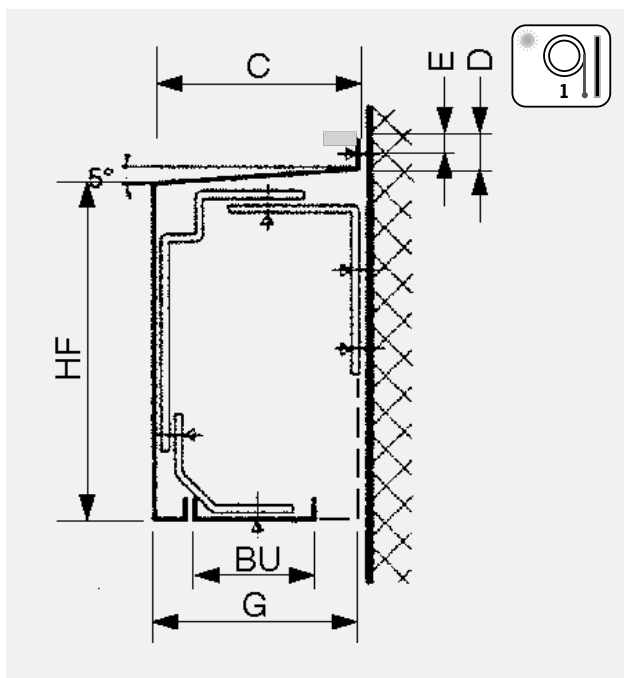
8.1

Porch cover, fastening at rear



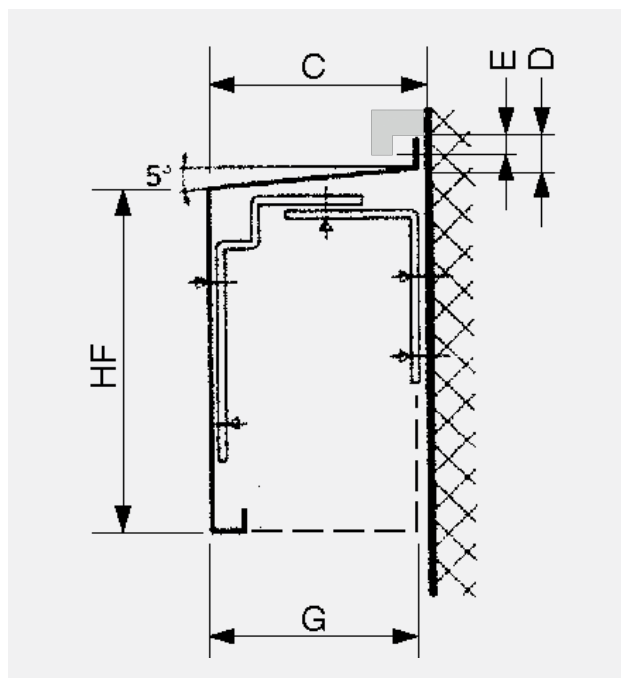
4.1

Porch cover with removable soffit, fastening at rear



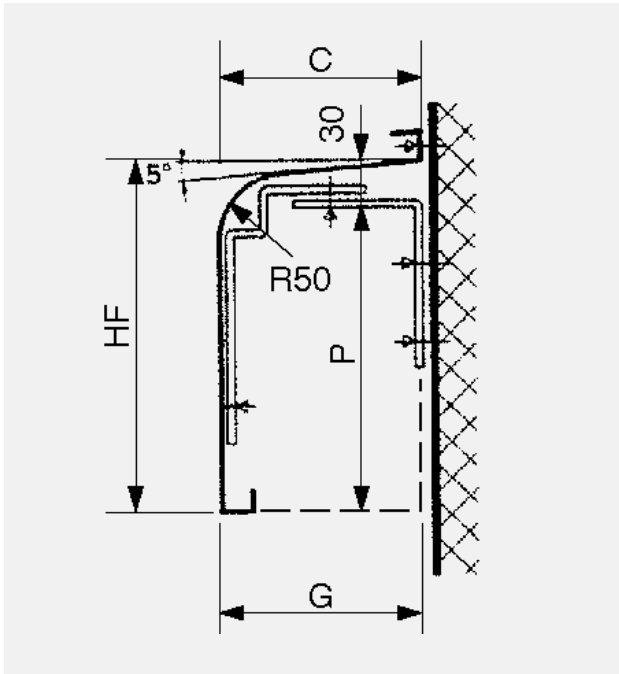
8.2

Porch cover below weatherboard, fastening at rear



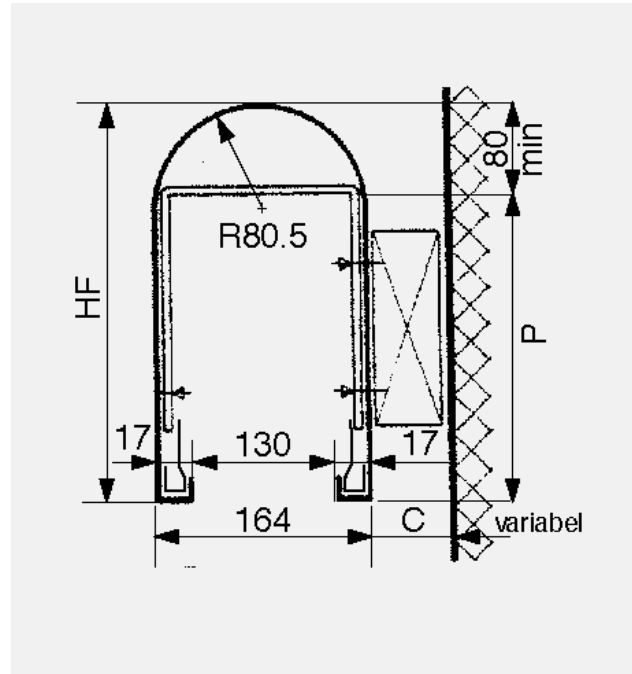
8.3

Porch cover, semi-circular, fastening at rear



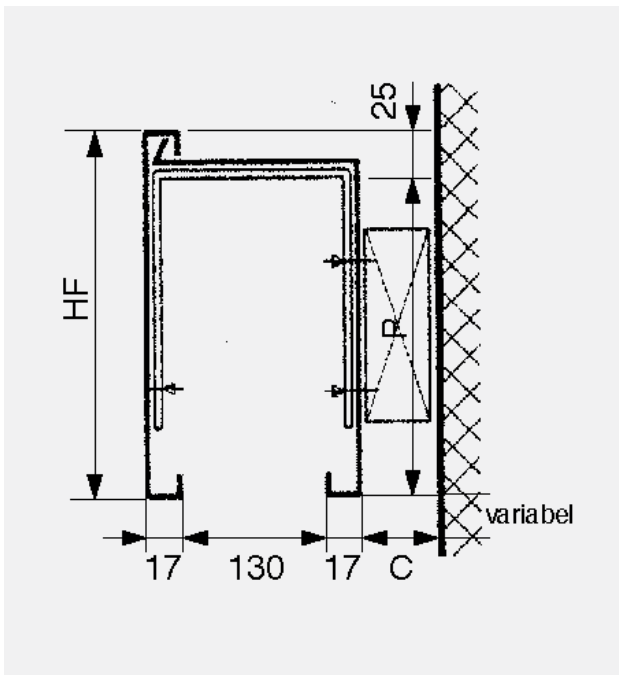
9.4

Suspended round cover, distance from facade min. 20 mm, fastening at rear



9.1

Suspended cover, distance from facade min. 20 mm, fastening at rear



- HF: Height of front panel
- C: Depth of front panel
- G: Depth of closing panel
- BU: Width of soffit
- D: Type 1.6 Header recess
Type 2.1 Dimension as far as straight front
Type 4.1/8.2 Height of lug at top
- E: Type 4.1/8.2 from outside lug as far as centre of hole (for hole pitch)

