

**Facade awnings from Griesser.  
Solozip® II**





## Solozip® II

Are you looking for a facade awning that provides needed solar shading even when it's windy? Our zip system is exactly what you need! The zipper closure is welded onto the fabric, guiding the material into the elegant and discrete covered guides all along the entire height – and holding it securely. This cleverly designed zip system also works for large surfaces and gives added resistance in wind or bad weather. The Solozip® II even withstands winds of up to 92 km/h.

Select your facade awnings from one of our two contemporary fabric collections with a large assortment of colors that help you integrate your solar shading perfectly with your facade design.



Solozip® II is available as a MINERGIE® module in an automated version.



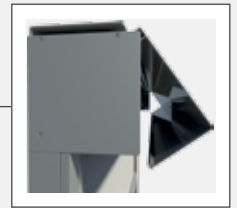
Box square



Box Design



Built-in system



Click-open front side



Large surfaces



Guides without visible screws



Wind-resistant zipper system

## Product Highlights Solozip® II

---

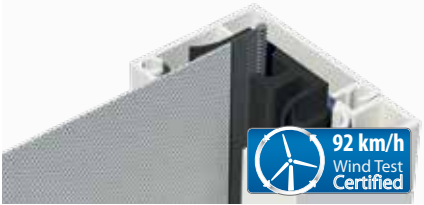
## PRODUCT ADVANTAGES IN DETAIL

---



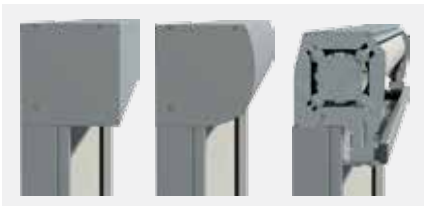
### Large surfaces

Large glass pane fronts are common in today's architecture. Our zip facade awnings offer the perfect solution for you. Depending on the version, surfaces up to 18 square meters can be shaded.



### Wind-resistant zipper system

Wind tests at the Institut Saint-Cyr l'Ecole IAT showed that Solozip® II can be used with up to Wind Class 6, depending on the dimensions listed in the technical data sheet for Wind Classes for facade awnings.



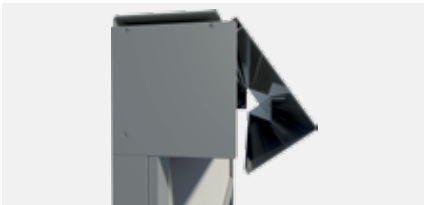
### Integrated or front extension options

Whether you need an integrated variation or a front extension, we have the right solution. Should it be a designer box or rather a square one? All boxes are available in two sizes. And if its an integrated solution you need, we naturally have those as well.



### Elegant drop profile

Elegant drop profile, filled with ecological sand.



### Click-open front side

For easy adjustment of the end point, the front side of the box can be simply clicked open.



### Fabric spindle for rapid dismantling

The fabric spindle can be quickly disassembled using the special system.



### Guides without visible screws

Special attention was put on design when we developed the Solozip® II. For instance, whenever possible, attachments which are screwed are hidden. This means that the guide rails have no visible screws.

**FRONT MOUNTED SYSTEM WITH BOX**



Solozip® II Box 100 square



Solozip® II Box 130 square



Solozip® II Box 100 Design



Solozip® II Box 130 Design



**BUILT-IN SYSTEM**



Solozip® II Built-in System



Solozip® II Box 100 Built-in System



Solozip® II Box 130 Built-in System



## Fabric collections and colors





---

## COLLECTION SCREEN

---



---

## A VERSATILE WORLD OF MATERIALS

---

### Screen gauze

The Screen materials feature a wide range of colors. The unusual patterns are an instant eye-catcher, lending the material a special touch. The Classic Satiné 5500 gauze allows plenty of brightness into the room.

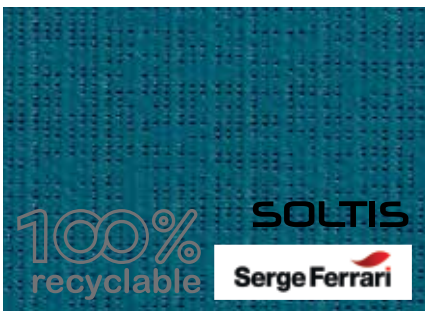
### Soltis gauzes

A broad selection of colours is offered by the Soltis Collection, which includes the fabric types Soltis 86, Soltis 92, Soltis 93, Soltis Black out B92 and B702. The latticed fabric lends the shaded room a natural brightness and provides the necessary solar shading. The Soltis Black out Collection is impermeable to light.

---

## COLLECTION SOLTIS

---



### Collection Soltis / Screen

Outstanding heat protection (depending on the colour selected, up to 97% of the solar energy is reflected)

Offers an ideal view to the outside without glare

With opaque fabrics

Complete darkening (100% of the visible light and UV radiation is blocked)

---

## FABRIC RECOMMENDATIONS FOR FUNCTIONAL BUILDINGS

---

In the interest of thermal protection, the g-value must be  $\leq 10\%$ .

To ensure adequate protection from glare, transparency must be  $\leq 5\%$ .

Light transmittance must be  $\geq 5\%$  to provide optimal utilisation of daylight.

To obtain the best possible thermal protection, a fabric with the the lowest thermal transmittance ( $T_e$ ) possible should be chosen, and the colour should be rather dark.

---

## COLORS

---

---

### PREMIUM COLORS

---

#### GriColors

The GriColors range includes 100 color shades in four collections, Glass & Stone, Sun & Fire, Water & Moss and Earth & Wood – from cool white and sunny red to natural blue and earthy brown.



#### Collection GriRal Colors

Our GriRal color collection has an assortment of 50 different RAL shades of color. From sand yellow to standard white, we offer a complete selection of hues for every color family. We're convinced that with our color palette, you will find exactly the right shade of color for your needs.



---

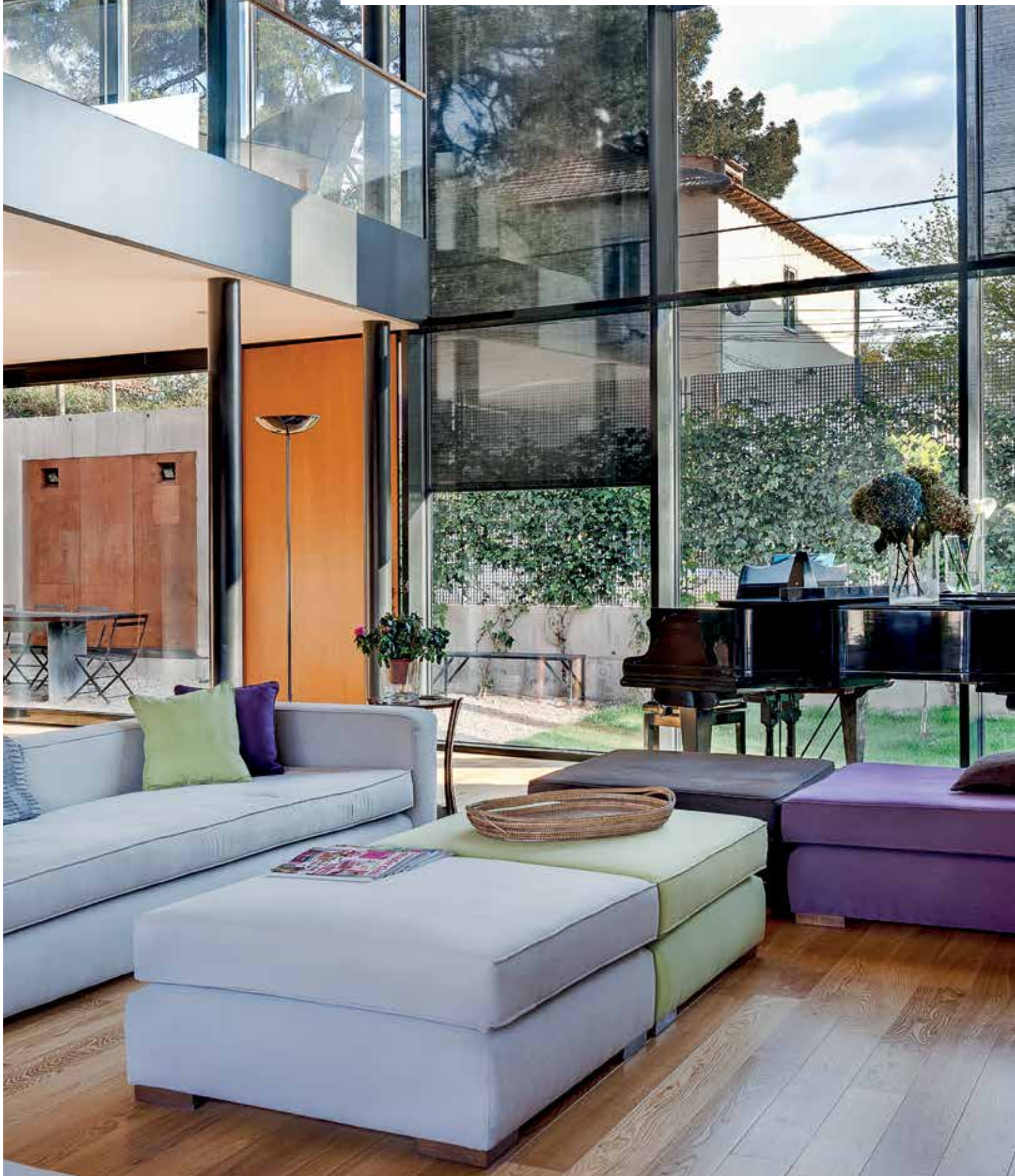
### SPECIAL COLORS

---

Color means individuality - there are practically no limits to our Special Colors. No wish goes unanswered with additional innumerable and facade-ready color tones.



## Our comfort



---

## CONTROLS

Solozip® II can be operated through a variety of control systems, from a simple hand-held transmitter to a master control or a building management system, depending on the time, position of the sun and the weather.

---

### Thermal comfort

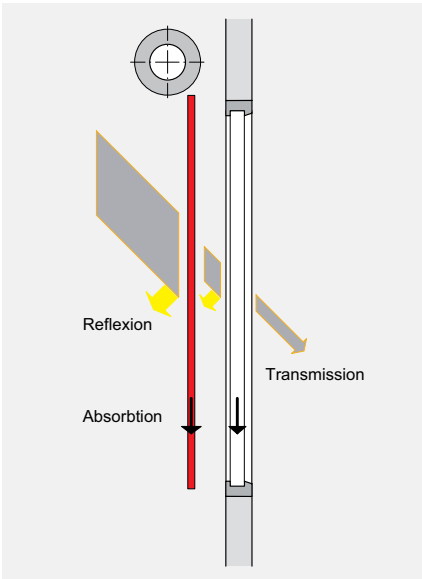
The ambient conditions change over the course of the day and during the seasons. With a blinds control device from Griesser, you can adjust your solar shading to match your personal requirements in accordance with changing exterior circumstances. And making these adjustments is so simple that you will still have time to take care of the important things in your life.

An optimal daylight concept makes artificial air conditioning superfluous in the summer. You save energy costs and may well also avoid one or another unwanted summer cold. In the winter, on the other hand, a solar shading system can protect you against cold and allow the scarce rays of the sun into the room, thus saving once again on energy costs, not to mention facial tissues.

---

### Visual comfort

Feeling at ease especially means being able to decide on the amount of privacy you would like in your own home. The Solozip® II shelters you from uninvited glances from the outside world.



BiLine hand-held transmitter



Centrero server for iPad and iPhone operation

---

### BILINE - RADIO CONTROLS

The Griesser BiLine control system offers reliable radio transmission combined with contemporary design and an esthetic that fits in unobtrusively in any surroundings. Wireless systems have the advantage of being installed quickly, not only in new buildings but also when refitting an automated system in existing buildings.



---

### KNX HOME AND BUILDING AUTOMATION

The Griesser KNX solar shading controller is an integrated master control with extensive functionalities for any building of any size. With proven functions such as solar tracking and horizon limitation, it meets the highest expectations for solar shading control.



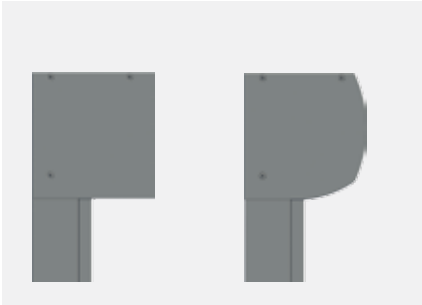
KNX controls per iPad



# Technology in detail

## FRONT MOUNTED SYSTEM WITH BOX

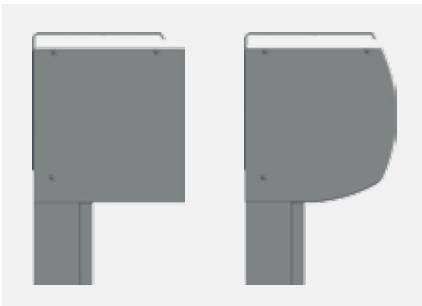
### Solozip® II Box 100 Fix



Box 100 Fix

Guide style	Fabric	bk min.	bk max.	gh* max.	A max.
Guide rails standard	Classic Satiné 5500 Soltis 86 / 92 / 93	700	4000	3000	12
Guide rails reduced	Soltis B92 / B702		3000		9

### Solozip® II Box 130

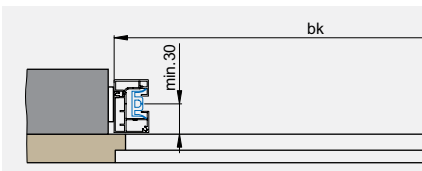


Box 130

Guide rails	Fabric	bk min.	bk max.	gh* max.	A max.
Guide rails standard	Classic Satiné 5500		6000	6000	18
	Soltis 86 / 92 / 93	700	4500	5000	15
	Soltis B92 / B702		4000		

All versions motorized only, not for coupling.

### Horizontal section



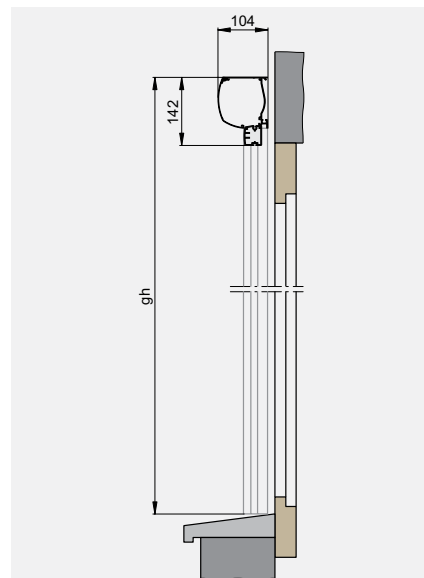
Installation tolerance: +/- 2 mm

### Key

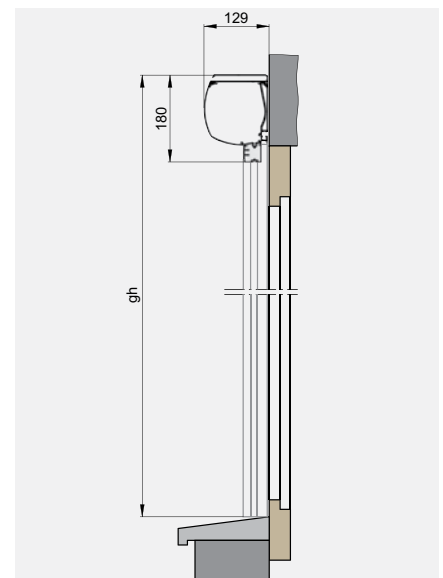
- bk = Width of construction
- A = Surface
- gh =  $gh/bk \leq 5$
- \*gh min. = 500

All dimensions in mm.

### Vertical section



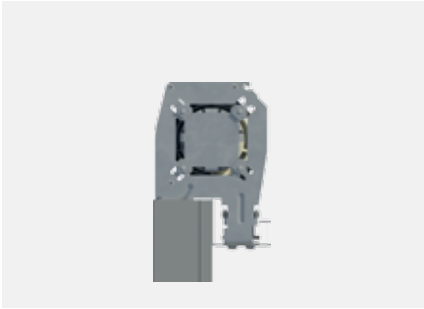
Solozip® II Box 100



Solozip® II Box 130

## BUILT-IN SYSTEM

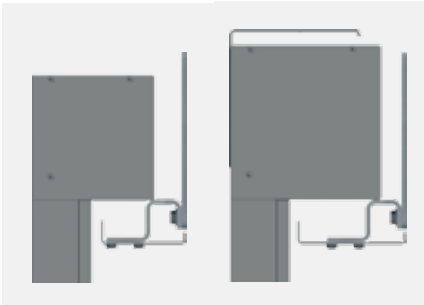
### Solozip® II



Built-in system Fix

Guide style	Fabric	bk min.	bk max.	gh* max.	A max.
Guide rails standard	Classic Satiné 5500 Soltis 86 / 92 / 93	700	3500	3000	10.5
Guide rails reduced	Soltis B92 / B702		3000		9

### Solozip® II Box 100 Fix



Box 100 Fix / 130

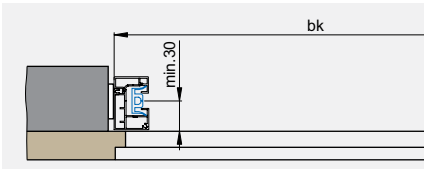
Guide style	Fabric	bk min.	bk max.	gh* max.	A max.
Guide rails standard	Classic Satiné 5500 Soltis 86 / 92 / 93	700	4000	3000	12
Guide rails reduced	Soltis B92 / B702		3000		9

### Solozip® II Box 130

Guide rails	Fabric	bk min.	bk max.	gh* max.	A max.
Guide rails standard	Classic Satiné 5500 Soltis 86 / 92 / 93	700	6000	6000	18
	Soltis B92 / B702		4500	5000	15

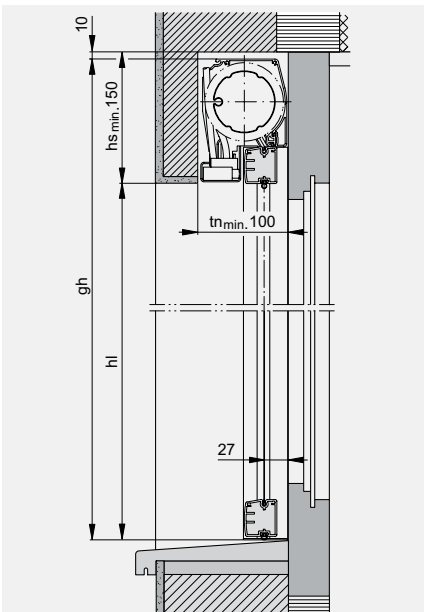
All versions motorized only, not for coupling.

### Horizontal section

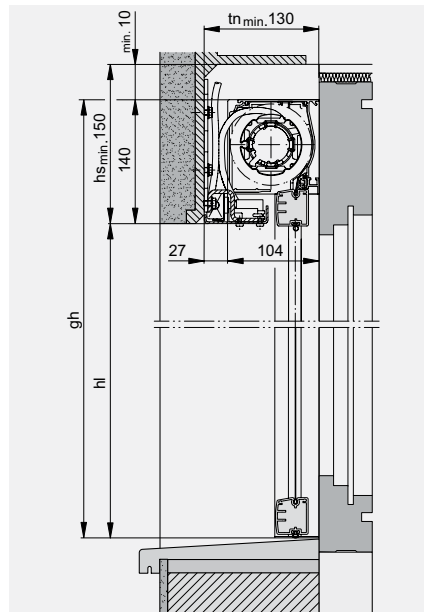


Installation tolerance: +/- 2 mm

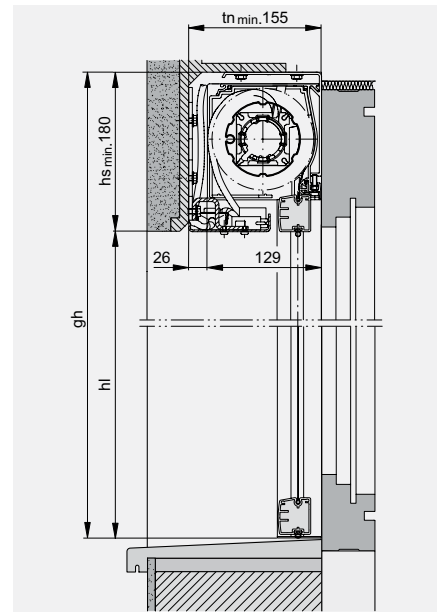
### Vertical section



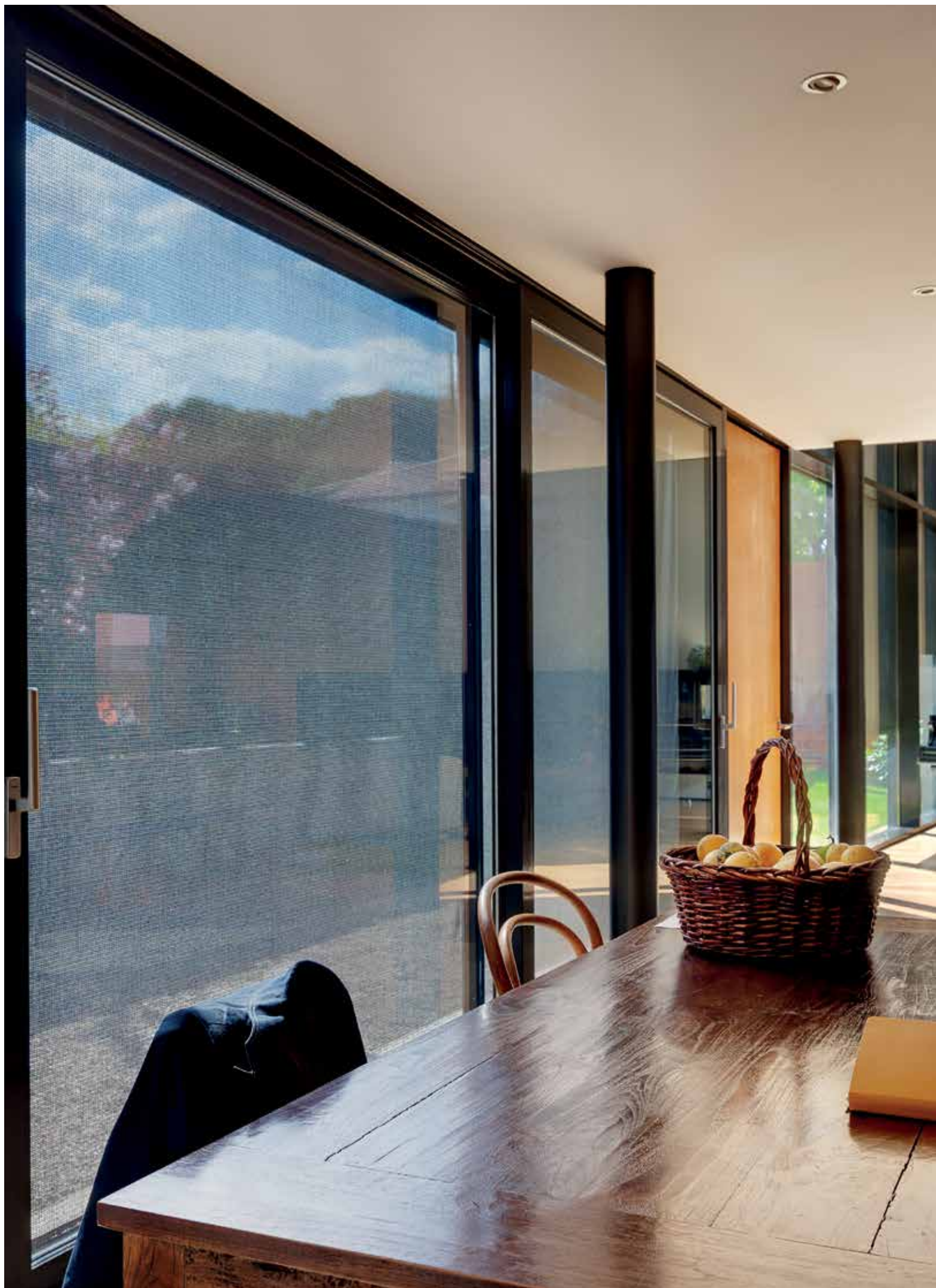
Solozip® II



Solozip® II Box 100 square

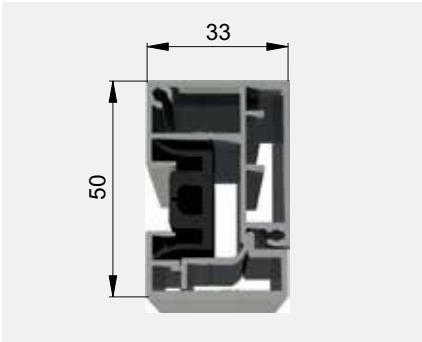


Solozip® II Box 130 square

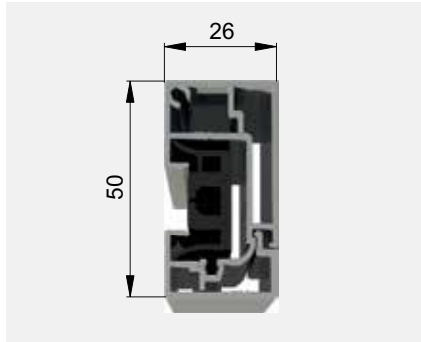


## GUIDES

### Guides standard

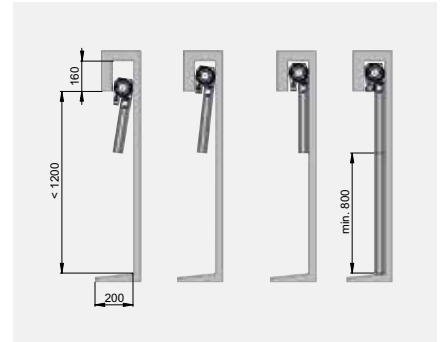


### Reduced guide (option)



Reduced guides for a filigree appearance are available for Solozip® II Box 100 and Solozip® II. This results in a slight reduction in the limit dimensions (see Limit dimensions).

### Two-part guides (option)



Two-part guides are available for the installation of Solozip® II and the installation of Solozip® II Box 100 with small heights (hl <math>< 1200</math>).

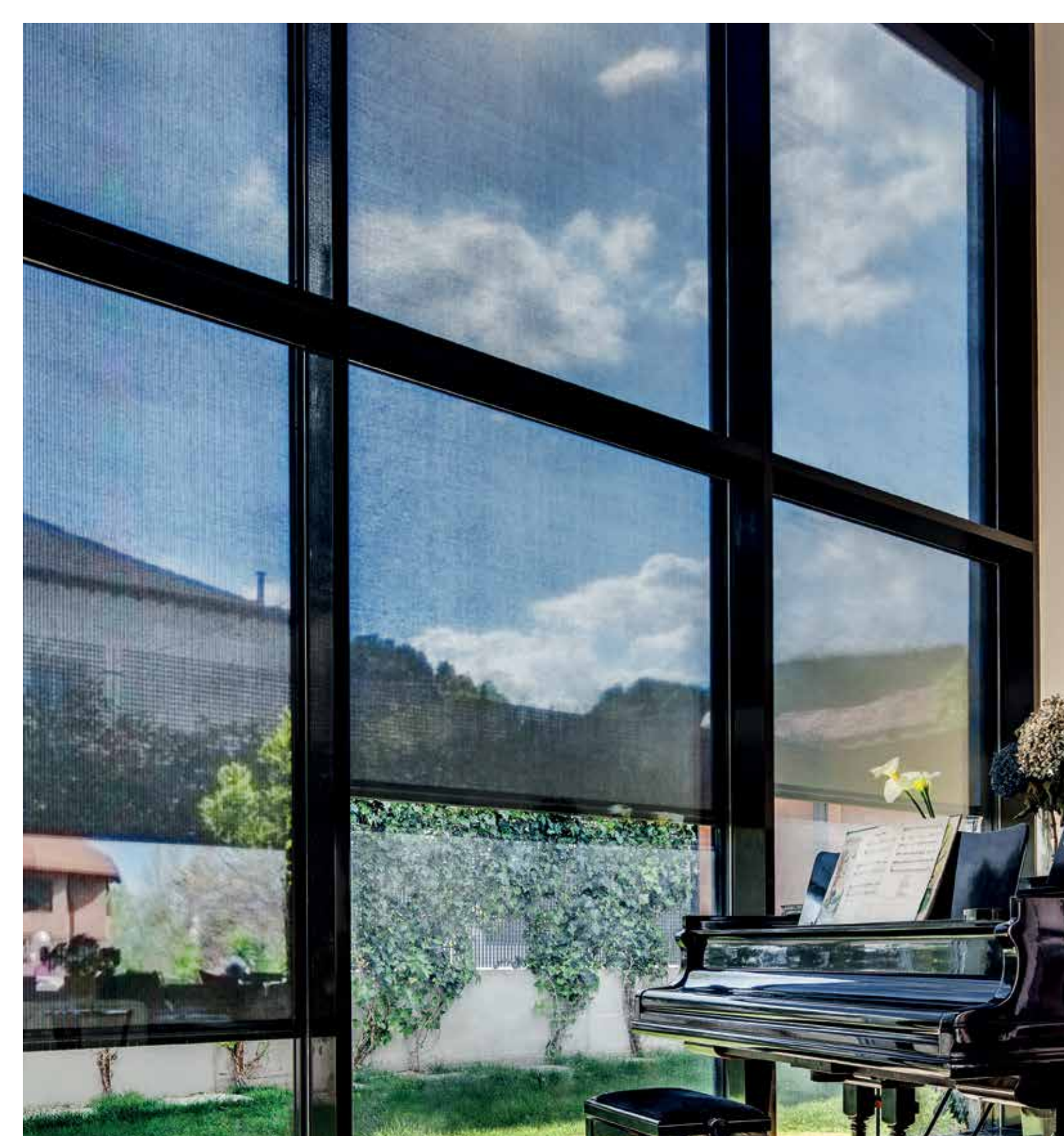
## HIRSCHMANN PROFILE (OPTION)



A special profile is available for placement of the Hirschmann plug and any radio receiver that may be required. The limit dimensions in terms of height are increased as a result.

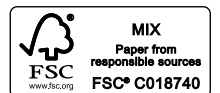


Not to be operated when there is a danger of icing.



**Your partner:**

Griesser solar shading – Quality since 1882.  
[www.griessergroup.com](http://www.griessergroup.com)



Subject to changes, factual and  
typographical errors excepted

V06.15